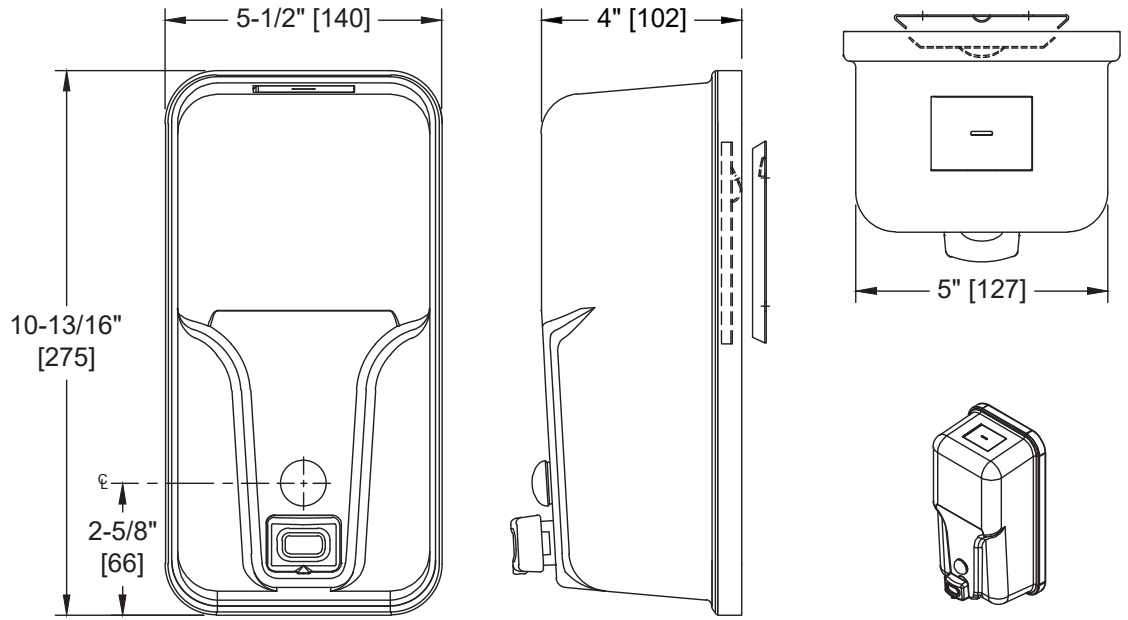


Royal™ Surface Mounted Vertical Soap Dispenser

Soap Dispensers

Royal

MasterFormat Section 10 28 13



Scan for Information



SUSTAINABILITY/LEED

MR 4.1 (1) MR 6 (1) EQ 4.2 (1)
MR 4.2 (1) EQ 4.1 (1) EQ 4.4 (1)

NOTE:
ALL DIM'S INCH [MM]
ILLUSTRATION FOR REF ONLY AND NTS
SEE SOAP DISPENSER CARE & MAINTENANCE
DOCUMENT ONLINE FOR CLEANING

PRODUCT OVERVIEW

Push button. Valve operation is ADA compliant, needing no more than 5 lbs. of pressure to actuate. Gently radiused edge complements the curves of the ASI Royal™ Collection. Capacity: 57 oz. (1.7 L). Soap Requirements: Proper usage of this dispenser requires, that only soap within the following range for viscosity and pH may be used. Viscosity Range (mPa*s or cP): 1 – 5500. pH Range: 5.5 ~ 8.5.

KEY FEATURES & SPECIFICATIONS

- "Touch Free" Liquid Soap Dispenser
- Seamless drawn construction
- Type 304 Stainless Steel - Satin Finish
- Gently Radiused Edges creates a modern look
- Surface Mounted
- Push Button Valve Operation
- Liquid Soap - 57 oz. (1.7 L) Capacity

OPERATION & MAINTENANCE

Push button to dispense soap. Unit is refilled through hinged door at top requiring special key (supplied) to open. Soap tank will continue to feed properly until soap level is below valve intake port. Tank supply is replenished manually on cycle determined by maintenance needs.

TECHNICAL INFORMATION / PRODUCT PROPERTIES

Property	Value
Dimensions	5-1/2" x 10-13/16" x 4" [139 x 274 x 101] Spout Projection: 15/16" [24]
Construction	Type 304 Stainless Steel - Satin Finish. Gently Radiused Edges create a modern look
Mounting	Surface Mounted
Options	N/A

INSTALLATION

Secure concealed mounting plate (supplied) to wall or partition using three (3) pan head self-threading screws #8 x 3/4" (M4.5 x 20) (by others) through mounting holes provided in plate into plastic wall anchors or other suitable mounting system (provided by others). Secure unit to interlocking wedge bracket and locked in place by a locking screw (supplied) installed through hinged refill door. For compliance with 2010 ADA Accessibility Standards, install unit with centerline of valve button 48" [1219] Maximum Above Finished Floor (AFF). For general utility install unit 42" [1066] AFF or 6" [152] minimum above counter top. Fill tank with appropriate viscosity soap to correct level and lock door. Locking door protects soap from inadvertent introduction of contaminants. Retain key provided for future access.

WARRANTY

One (1) Year from date of invoice