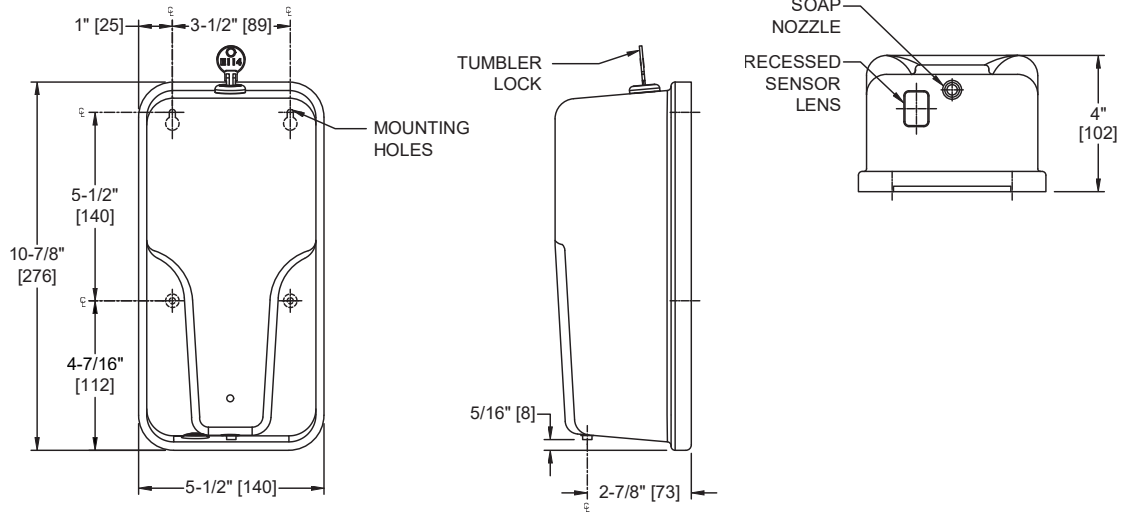


Royal™ Automatic Liquid Soap Dispenser

Soap Dispensers

Royal

MasterFormat Section 10 28 13



Scan for Information



SUSTAINABILITY/LEED

MR 4.1 (1) MR 6 (1) EQ 4.2 (1)
MR 4.2 (1) EQ 4.1 (1) EQ 4.4 (1)

NOTE:
ALL DIM'S INCH [MM]
ILLUSTRATION FOR REF ONLY AND NTS
SEE SOAP DISPENSER CARE & MAINTENANCE
DOCUMENT ONLINE FOR CLEANING

PRODUCT OVERVIEW

Hands-free soap dispenser powered by 6 AA-size batteries (not included). Dispensing cycles adjustable with tamper-proof magnetic key. Seamless drawn type 304 stainless steel cover. Translucent removable internal tank for easy-to-view level. LED indicates adjustment and operation. Capacity: 34 oz. (1 L). Soap Requirements: Proper usage of this dispenser requires, that only soap within the following range for viscosity and pH may be used. Viscosity Range (mPa•s or cP): 50 – 3500. pH Range: 5.0 ~ 9.0.

KEY FEATURES & SPECIFICATIONS

- "Touch Free" Dual Dispenser - Gel Hand Sanitizer or Liquid Soap
- Seamless drawn construction
- Type 304 Stainless Steel - Satin Finish
- Gently Radiused Edges creates a modern look
- Surface Mounted
- Automatic - Battery Operated - "No Touch"
- 33 oz. (1.0 L) Capacity

OPERATION & MAINTENANCE

Unit shall operate each time an object is positioned within the sensing distance of 3-1/8" [80] ± 3/8" [10] from unit bottom. A drop of 0.03 ± 0.002 oz [0.8 ± 0.05 ml] of product supply will be pumped out of the nozzle on unit bottom for each activation while batteries are at suitable charge level (LED is not flashing) and correct viscosity soap or sanitizer is present in the tank. Door has lock to provide security and vandal resistance after each soap refill and battery change service interval.

TECHNICAL INFORMATION / PRODUCT PROPERTIES

Property	Value
Dimensions	5-1/2" x 10-7/8" x 4" [140 x 276 x 102]
Construction	Type 304 Stainless Steel - Satin Finish. Gently Radiused Edges create a modern look
Mounting	Surface Mounted
Options	N/A

INSTALLATION

Secure concealed base plate to wall with four (4) self-threading screws (supplied by others: two (2) #8 x 3/4" [M4.5x20] pan-head & two (2) #8 x 3/4" [M4.5x20] flat-head through mounting holes provided in plate into plastic wall anchors (by others) or other suitable mounting system (by others). For compliance with 2010 ADA Accessibility Standards install unit so that bottom of unit is 48" [1219] maximum Above Finished Floor (AFF). Minimum distance to counter top is 12" [305]. Alternatively, unit may be installed on stand (Model #FS-0300) with mounting hardware supplied with stand. Install six (6) AA-size 1.5V batteries (by others) in concealed battery compartment according to polarity indication and snap-latch battery door. Fill tank with appropriate viscosity soap or sanitizer to correct level and lock door. Locking door activates concealed button to initiate operation. Retain key provided for future access.

WARRANTY

One (1) Year from date of invoice