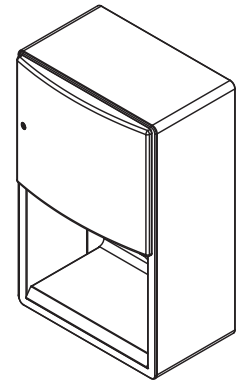
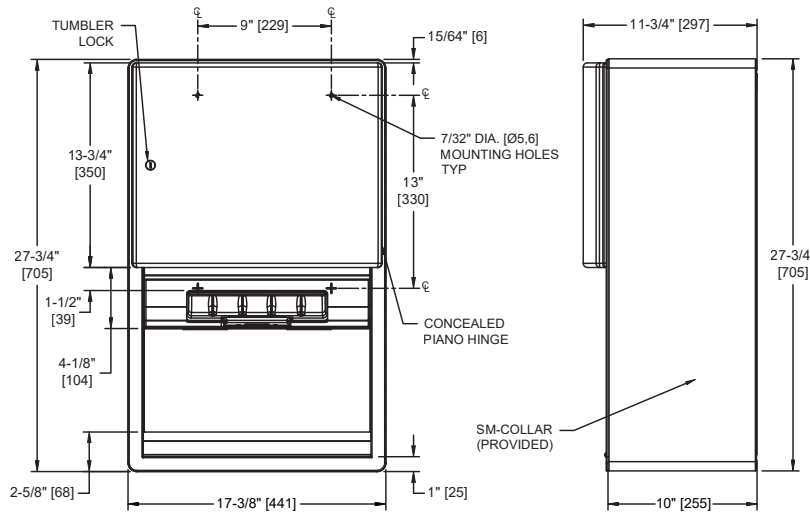


ROVAL™ SURFACE MOUNTED AUTOMATIC ROLL PAPER TOWEL DISPENSER

Paper Towel Dispensers

Roval

MasterFormat Section 10 28 13



Scan for Information



SUSTAINABILITY/LEED

MR 4.1 (1) MR 6 (1) EQ 4.2 (1)
MR 4.2 (1) EQ 4.1 (1) EQ 4.4 (1)

NOTE:
ALL DIM'S INCH [MM]
ILLUSTRATION FOR REF ONLY AND NTS
FOR CLEANING INSTRUCTIONS SEE APPROPRIATE SECTIONS IN
PRODUCT CARE & MAINTENANCE BULLETIN (PCM) ON ASI WEBSITE

PRODUCT OVERVIEW

Fabricated of 22 gauge stainless steel with satin finish. Towels are dispensed one length at a time automatically when hands are placed in sensor zone until supply is depleted. Owner predetermines length of towel dispensed by making selections on three (3) three-position switches for length, delay, and economy. Unit may be reloaded with a full roll to automatically start when finished with an existing partial roll and will continue to feed properly when reloaded with a full roll and partial roll is transferred to stub roll position. Refill dispenser by unlocking door and replacing towel roll for an empty or partially empty unit. Dispenser supply is replenished and batteries are replaced manually. LED indicates sensing and battery condition. Locking door prevents unauthorized access and roll removal. Powered by 4 D-size batteries (not included). Surface mounted with stainless steel collar.

KEY FEATURES & SPECIFICATIONS

- Curved front adds strength and elegance
- Concealed, Multi-Staked Piano Hinge
- Type 304 Stainless Steel - Satin Finish
- Surface Mounted - w/ -9 Collar
- Automatic - Battery Operated - "No Touch"
- Roll Towels - up to 800 ft. [244M] Length

OPERATION & MAINTENANCE

Towels are dispensed one length at a time automatically when hands are placed in sensor zone until supply is depleted. Owner predetermines length of towel dispensed by making selections on three (3) three-position switches for length, delay, and economy. Unit may be reloaded with a full roll to automatically start when finished with an existing partial roll and will continue to feed properly when reloaded with a full roll and partial roll is transferred to stub roll position. Refill dispenser by unlocking door and replacing towel roll for an empty or partially empty unit. Dispenser supply is replenished and batteries are replaced manually on cycles determined by maintenance needs. LED indicates sensing and battery condition. Locking door prevents unauthorized access and roll removal.

TECHNICAL INFORMATION / PRODUCT PROPERTIES

Property	Value
Dimensions	17-3/8" [441] W x 27-3/4" [705] H x 11-11/16" [297] D
Construction	Type 304 Stainless Steel - Satin Finish Concealed, Multi-Stacked Piano Hinge
Power	Batteries: Four (4) D-size
Operation	Automatic "No-Touch"
Mounting	Surface Mounted - w/ 9" Collar
Capacity	Roll Towels - up to 800 ft. Length

INSTALLATION

Provide adequate in-wall reinforcement (by others) in drywall construction to hold mounted unit in-service after wall is finished. Provide appropriate anchors (by others) to suit wall and field conditions for installation onto walls other than new drywall. Mount unit on wall using #10 self-threading screws (by others) through concealed mounting holes provided. For compliance with ICC/ANSI A-117.1-2003 and with 2010 ADA Accessibility Standards install unit so that centerline of towel dispenser slot is 48" [1219] maximum above finished floor (AFF). Be advised that local codes may require mounting so that top of towel dispenser opening is 40" [1016] maximum AFF (e.g. California UBC/Title 24). For general utility install unit with top of towel dispenser opening between 49" [1245] and 56" [1422] AFF.

WARRANTY

One (1) Year from date of Invoice