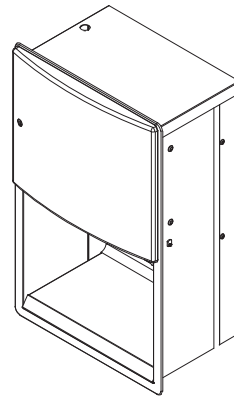
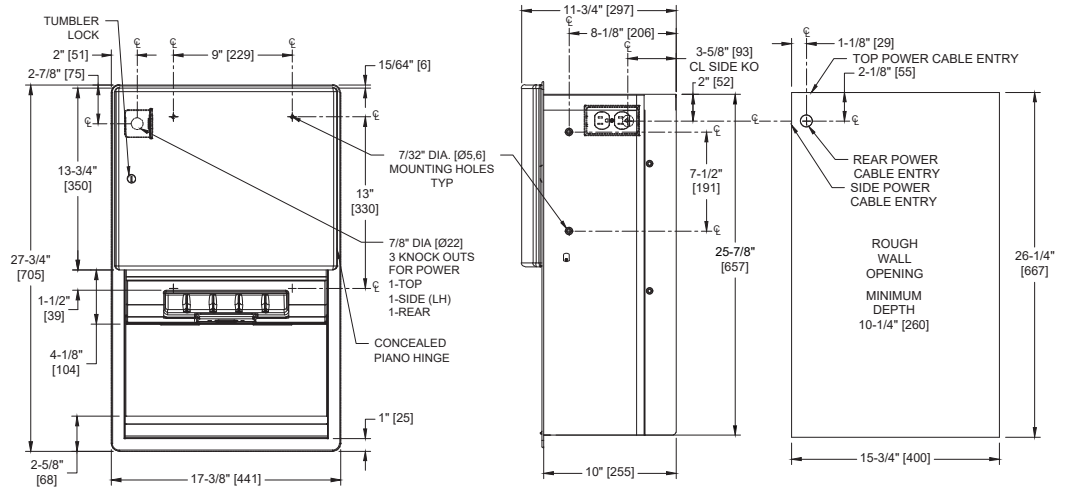


**ROVAL™ RECESSED AUTOMATIC ROLL PAPER TOWEL DISPENSER**

Paper Towel Dispensers

Roval

MasterFormat Section 10 28 13



**NOTE:**  
ALL DIM'S INCH [MM]  
ILLUSTRATION FOR REF ONLY AND NTS  
FOR CLEANING INSTRUCTIONS SEE APPROPRIATE SECTIONS IN  
PRODUCT CARE & MAINTENANCE BULLETIN (PCM) ON ASI WEBSITE

Scan for Information



**SUSTAINABILITY/LEED**

MR 4.1 (1) MR 6 (1) EQ 4.2 (1)  
MR 4.2 (1) EQ 4.1 (1) EQ 4.4 (1)

**PRODUCT OVERVIEW**

Fabricated of 22 gauge stainless steel with satin finish. Towels are dispensed one length at a time automatically when hands are placed in sensor zone until supply is depleted. Owner predetermines length of towel dispensed by making selections on three (3) three-position switches for length, delay, and economy. Unit may be reloaded with a full roll to automatically start when finished with an existing partial roll and will continue to feed properly when reloaded with a full roll and partial roll is transferred to stub roll position. Refill dispenser by unlocking door and replacing towel roll for an empty or partially empty unit. Dispenser supply is replenished manually. LED indicates sensing and operation. Locking door prevents unauthorized access and roll removal. Powered by AC plug-in adapter.

**KEY FEATURES & SPECIFICATIONS**

- Curved front adds strength and elegance
- Concealed, Multi-Staked Piano Hinge
- Type 304 Stainless Steel - Satin Finish
- Recessed
- Automatic - AC Operated - "No Touch"
- Roll Towels - up to 800 ft. Length

**OPERATION & MAINTENANCE**

Towels are dispensed one length at a time automatically when hands are placed in sensor zone until supply is depleted. Owner predetermines length of towel dispensed by making selections on three (3) three-position switches for length, delay, and economy. Unit may be reloaded with a full roll to automatically start when finished with an existing partial roll and will continue to feed properly when reloaded with a full roll and partial roll is transferred to stub roll position. Refill dispenser by unlocking door and replacing towel roll for an empty or partially empty unit. Dispenser supply is replenished manually on a cycle determined by maintenance needs. LED indicates sensing and operation. Locking door prevents unauthorized access and roll removal.

**TECHNICAL INFORMATION / PRODUCT PROPERTIES**

| Property     | Value   |
|--------------|---|
| Dimensions   | 17-3/8" [441] W x 27-3/4" [705] H x 11-11/16" [297] D                           |
| Construction | Type 304 Stainless Steel - Satin Finish<br>Concealed, Multi-Stacked Piano Hinge |
| Power        | 110-240V AC   |
| Operation    | Automatic "No-Touch"  |
| Mounting     | Recessed  |
| Capacity     | Roll Towels - up to 800 ft. Length  |

**INSTALLATION**

Provide adequate in-wall reinforcement (by others) in drywall construction to hold mounted unit in-service after wall is finished. Provide appropriate anchors (by others) to suit wall and field conditions for installation into walls other than new drywall. Mount unit in wall recess using #10 self-threading screws (by others) through concealed mounting holes provided. Note that top of RWO is 7/8" [22] below top of unit. Power is supplied by code approved cable or conduit (by others) to RWO at any one of three [3] available locations indicated on diagram and terminated in utility duplex outlet box (provided) inside cabinet. Power required is 110-240VAC, 50/60 Hz protected by a 15A circuit breaker (by others) for low voltage adapter that draws 1/4 Amp. Power adapter for dispenser unit is supplied cabled and plugged into dispenser and is plugged into duplex outlet (by others). For compliance with ICC/ANSI A-117.1-2003 and with 2010 ADA Accessibility Standards install unit so that centerline of towel dispenser slot is 48" [1219] maximum above finished floor (AFF). Be advised that local codes may require mounting so that top of towel dispenser opening is 40" [1016] maximum AFF (e.g. California UBC/Title 24). For general utility install unit with top of towel dispenser opening between 49" [1245] and 56" [1422] AFF. Sensor ground wire must be connected inside cabinet.

Rough Wall Opening (RWO) required is 15-3/4" [400] W x 26-1/4" [667] H x 10" [254] D minimum

**WARRANTY**

One (1) Year from date of Invoice