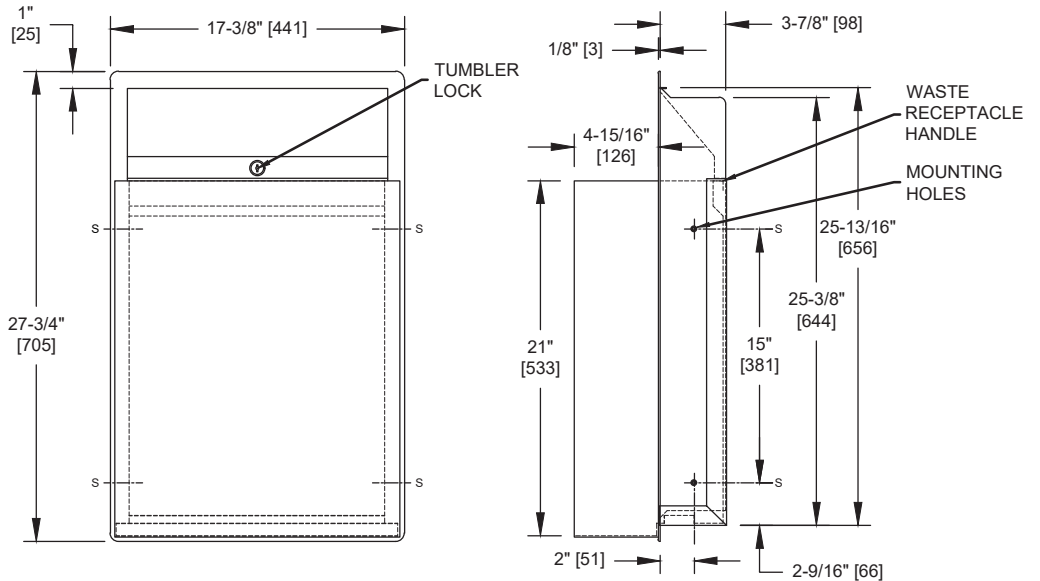


ROVAL™ Semi-Recessed Removable Waste Receptacle

Waste Receptacles

Roval

MasterFormat Section 10 28 13



Scan for Information



SUSTAINABILITY/LEED

MR 4.1 (1) MR 6 (1) EQ 4.2 (1)
MR 4.2 (1) EQ 4.1 (1) EQ 4.4 (1)

NOTE:
ALL DIM'S INCH [MM]
ILLUSTRATION FOR REF ONLY AND NTS

PRODUCT OVERVIEW

Easy maintenance—removable stainless steel waste receptacle locks into cabinet with a tumbler lock for security. Capacity 11.2 gal. (42.6 L). Fabricated of 20 gauge type 304 stainless steel with satin finish. Waste receptacle is emptied manually. Disposable liner bags (by others) may be purchased to hang on internal hooks or may be draped over rim and held in place when receptacle is locked into cabinet. Keyed tumbler lock prevents unauthorized removal.

KEY FEATURES & SPECIFICATIONS

- Curved front adds strength and elegance
- Removable Waste Can
- Type 304 Stainless Steel - Satin Finish
- Semi-Recessed
- 11.2 Gal. (42.6L) Waste Capacity

OPERATION & MAINTENANCE

Waste receptacle is emptied manually on cycle determined by maintenance requirements. Disposable liner bags (by others) may be purchased to hang on internal hooks or may be draped over rim and held in place when receptacle is locked into cabinet. Keyed tumbler lock prevents unauthorized removal.

TECHNICAL INFORMATION / PRODUCT PROPERTIES

Property	Value
Dimensions	17-3/8" [441] W x 27-3/4" [705] H x 8-15/16" [227] D
Construction	Type 304 Stainless Steel - Satin Finish
Mounting	Semi-Recessed
Capacity	11.2 Gal. (42.6L) Waste Capacity

INSTALLATION

Mount unit in wall recess using # 10 self-threading flat head screws (by others) through concealed mounting holes provided. For compliance with 2010 ADA Accessibility Standards, install unit with top edge no higher than 48" [1219] Above Finished Floor (AFF). Note that top of Rough Wall Opening is 7/8" [22] below top of unit.

Rough Wall Opening (RWO) required is 15-3/4" [400] W x 26" [660] H x 3-15/16" [100] D minimum

OPTIONS

N/A

WARRANTY

One (1) Year from date of Invoice