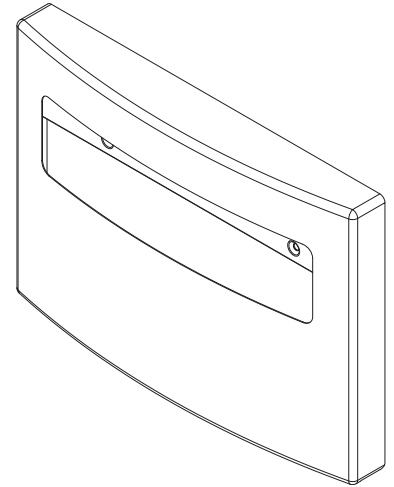
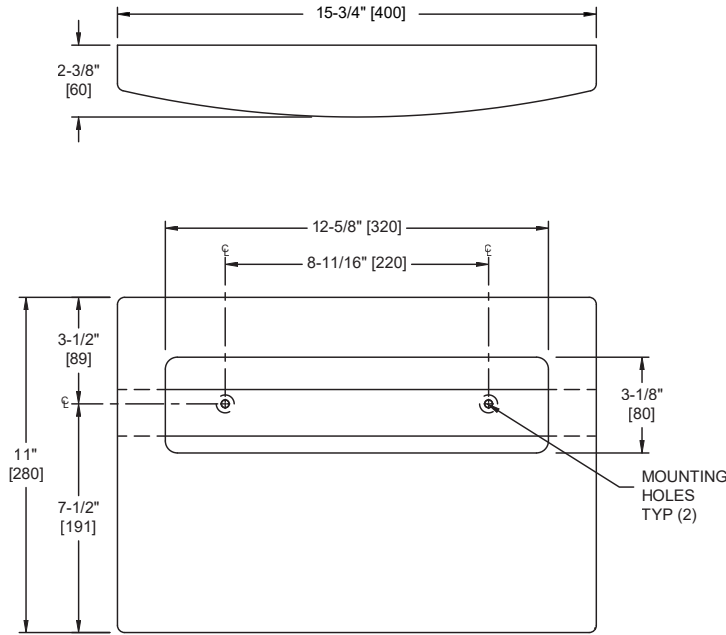


**Royal™ Surface Mounted Seat Cover Dispenser**

Specialty Accessories

Royal

MasterFormat Section 10 28 13



Scan for Information



**SUSTAINABILITY/LEED**

MR 4.1 (1) MR 6 (1) EQ 4.2 (1)  
MR 4.2 (1) EQ 4.1 (1) EQ 4.4 (1)

**NOTE:**  
ALL DIM'S INCH [MM]  
ILLUSTRATION FOR REF ONLY AND NTS

**PRODUCT OVERVIEW**

Dispenses 250 seat covers. Fabricated of 20 gauge type 304 stainless steel with a satin finish. Covers are self-feeding until supply is depleted. Unit is manually reloaded with a full box through concealed opening in bottom on schedule determined by maintenance requirements.

**KEY FEATURES & SPECIFICATIONS**

- Curved front adds strength and elegance
- Concealed, Multi-Staked Piano Hinge - Removable Waste Can
- Type 304 Stainless Steel - Satin Finish
- Surface Mounted
- Dispenses 250 seat covers

**OPERATION & MAINTENANCE**

Covers are self-feeding until supply is depleted. Unit is manually reloaded with a full box through concealed opening in bottom on schedule determined by maintenance requirements.

**TECHNICAL INFORMATION / PRODUCT PROPERTIES**

Property	Value
Dimensions	15-3/4" [400] W x 11" [280] H x 2-3/8" [60] D
Construction	Type 304 Stainless Steel - Satin Finish Concealed, Multi-Staked Piano Hinge
Mounting	Surface Mounted
Capacity	Dispenses 250 seat covers

**INSTALLATION**

Mount unit on wall or partition surface using two (2) #10 x 1-1/4" [32] self-threading flat head screws (by others). Mounting holes are clearly accessible through dispenser slot for installation and concealed behind dispenser box for vandal resistant locking after dispense product is loaded. For compliance with 2010 ADA Accessibility Standards install unit so that centerline of dispenser slot is 48" [1219] maximum Above Finished Floor (AFF) if clear floor access is provided or 46" [1168] maximum AFF if side reach over an obstruction only is provided (i.e.: vanity).

**ADDITIONAL INFORMATION**

N/A

**WARRANTY**

One (1) Year from date of Invoice