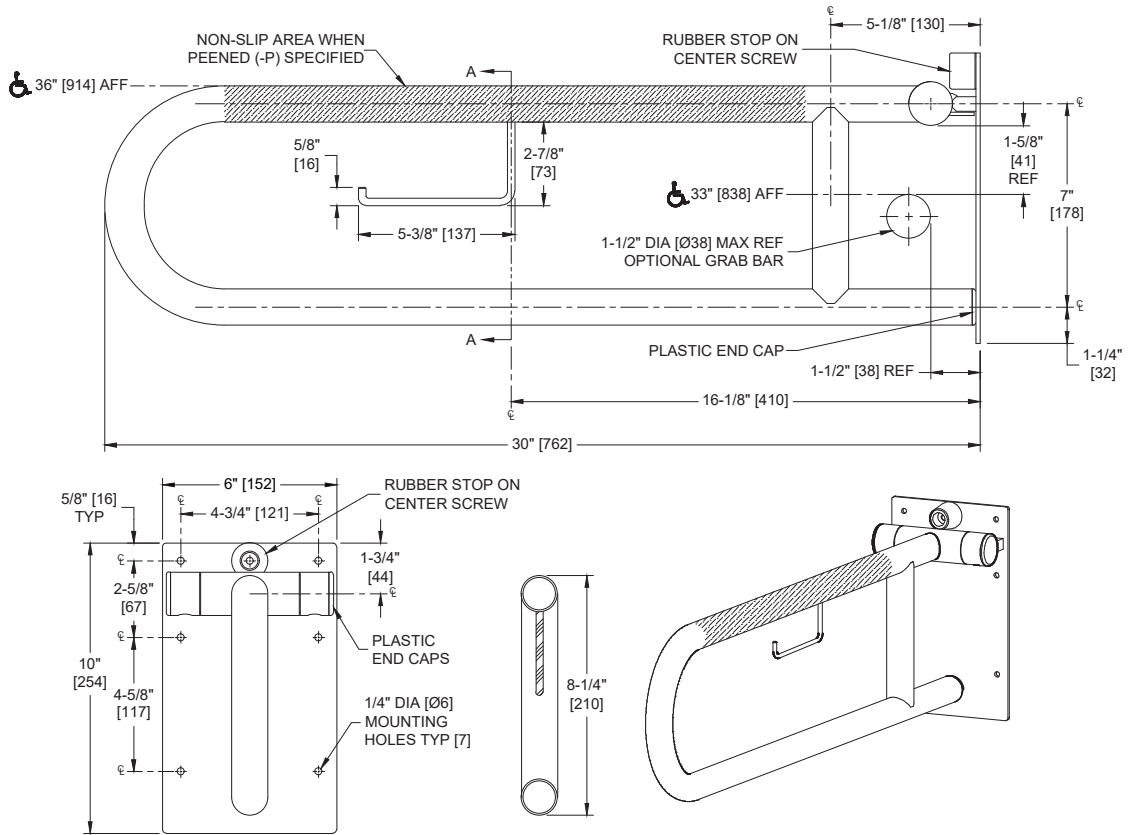


1-1/4" Dia. Swing-Up Grab Bar with Integral Toilet Paper Roll Holder

Grab Bars

MasterFormat Section 10 28 13



SUSTAINABILITY/LEED

MR 4.1 (1) MR 6 (1) EQ 4.2 (1)
MR 4.2 (1) EQ 4.1 (1) EQ 4.4 (1)

NOTE:
ALL DIM'S INCH [MM]
ILLUSTRATION FOR REF ONLY AND NTS

PRODUCT OVERVIEW

Swing-Up Grab Bar is fabricated of stainless steel type 304 alloy 18-8 with a satin finish. The bar has 1-1/4" [32] diameter tubing hinge. Operable with one hand. Bar mounting plate includes top arm stop bumper to prevent raised arm from banging into wall. Bar tube includes plastic end cap to cushion contact with wall plate in use position.

KEY FEATURES & SPECIFICATIONS

- Swing-Up Grab Bar also holds Toilet Paper
- Exposed Flange - 3" diameter [Ø76], 1/8" [3] thick
- Type 304 Stainless Steel - Satin Finish
- Surface Mounted - See Diagram Backplate mounting holes
- 18 gauge tubing with 1-1/4" Outside Diameter [Ø32]
- 18" [457] Length

OPERATION & MAINTENANCE

Swing-up Grab Bar is lowered manually to horizontal position for support and raised for departure. Tension control prevents grab bar from dropping from the vertical position. Balance tension is adjustable by owner by tightening or loosening the clamp bolt. It is the owner's responsibility to ensure continued safe operation by performing periodic inspection and effecting any adjustment or repairs required as usage may loosen tension over time. Bumper provides positive bar stop at top rest position. Plastic tube cap closes end of bottom tube and provides smooth solid contact with back plate.

TECHNICAL INFORMATION / PRODUCT PROPERTIES

Property	Value
Dimensions	18 gauge tubing with 1-1/4" Outside Diameter [Ø32] / 30" [762] Length
Construction	Type 304 Stainless Steel - Satin Finish 18 gauge tubing with 1-1/4" Outside Diameter [Ø32]
Mounting	Surface Mounted
Capacity	ASI grab bars are designed to meet and exceed 2010 ADA Accessibility Standards and ANSI A117.1 that fabricated product shall be of adequate strength to support a load in excess of 250 pounds (113.4 kg). Mounting to the wall is a critical part of the system to meet this requirement. The fastener system must be adequately sized to withstand the shear, tension or pullout, and torsion loads generated by the maximum loading.

INSTALLATION

Use grab bar as template to mark mounting holes locations and pre-drill holes. Install bar using three (3) #10 self-threading flat head or oval head screws (by others) or other fastener system (by others) to suit conditions for each flange. Appropriate anchoring and backing must be provided in accordance with local building codes or as specified on Architects Plans prior to wall finishing. For compliance with 2010 ADA Accessibility Standards install unit so that the top of the grab bar is 33" [840] minimum Above Finished Floor (AFF) to 36" [915] maximum AFF. Anchors are available from ASI and must be specified separately for each grab bar style scheduled (see 3900 series).

Toilet Paper Holder Option -25

Grab Bar Configurations <https://americanspecialties.com/wp-content/uploads/grabbarconfig.pdf>

WARRANTY

One (1) Year from date of Invoice