

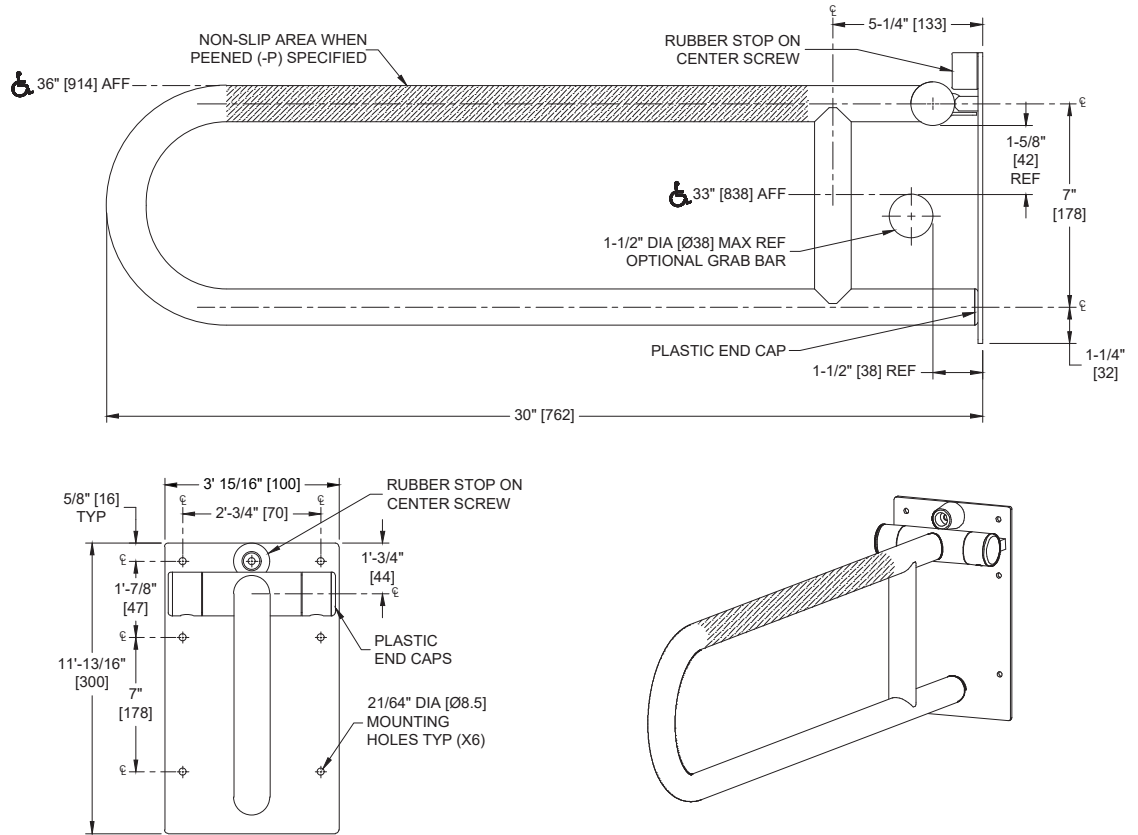
**1-1/2" Dia. Swing-Up Grab Bar – Peened**

Grab Bars

MasterFormat Section 10 28 13



Scan for Information



**SUSTAINABILITY/LEED**

MR 4.1 (1) MR 6 (1) EQ 4.2 (1)  
 MR 4.2 (1) EQ 4.1 (1) EQ 4.4 (1)

**NOTE:**  
 ALL DIM'S INCH [MM]  
 ILLUSTRATION FOR REF ONLY AND NTS  
 FOR CLEANING USE A MILD ABRASIVE CLEANSER (AJAX, BON AMI, ETC) ON A DAMP ABRASIVE PAD (SCOTCHBRITE OR OTHER NON-METALLIC PAD). RUB IN THE DIRECTION OF THE GRAIN. RINSE WELL WITH WATER AND WIPE DRY.

**PRODUCT OVERVIEW**

Features include flange of 3" diameter [Ø76], 1/8" [3] thick type 304 stainless steel with a satin finish; exposed mounting screw holes are drilled and countersunk. 1-1/2" [38] diameter bar with peened surface for easier grabbing.

**KEY FEATURES & SPECIFICATIONS**

- Swing-Up Grab Bar
- Exposed Flange - 3" diameter [Ø76], 1/8" [3] thick
- Type 304 Stainless Steel - Satin Finish
- Peened for better gripping
- Surface Mounted - See Diagram Backplate mounting holes
- 18 gauge tubing with 1-1/2" Outside Diameter [Ø38]

**OPERATION & MAINTENANCE**

Swing-up Grab Bar is lowered manually to horizontal position for support and raised for departure. Detent position stops prevent grab bar from dropping from the vertical position. Intermediate bar rest position at 45° raised is provided to allow easy lifting for access and egress by frail users. Balance tension is preset by factory and is not adjustable. It is the owner's responsibility to ensure continued safe operation by performing periodic inspection and effecting any repairs required by adverse environmental conditions. Bumper provides positive bar stop at top rest position. Plastic tube cap closes end of bottom tube and provides smooth solid contact with back plate.

**TECHNICAL INFORMATION / PRODUCT PROPERTIES**

Property	Value
Dimensions	18 gauge tubing with 1-1/4" Outside Diameter [Ø32] / 30" [762] Length
Construction	Type 304 Stainless Steel - Satin Finish - Peened for better gripping 18 gauge tubing with 1-1/2" Outside Diameter [Ø38]
Mounting	Surface Mounted
Capacity	ASI grab bars are designed to meet and exceed 2010 ADA Accessibility Standards and ANSI A117.1 that fabricated product shall be of adequate strength to support a load in excess of 250 pounds (113.4 kg). Mounting to the wall is a critical part of the system to meet this requirement. The fastener system must be adequately sized to withstand the shear, tension or pullout, and torsion loads generated by the maximum loading.

**INSTALLATION**

This unit is surface mounted. Installer/construction contractor must provide concealed anchor plate or blocking as specified in construction documents or as required by local building codes prior to wall finishing. Fasten wall plate to concealed anchor or blocking plate with appropriate hardware (by others) through each of six (6) mounting holes provided. See "STRENGTH" section below. Note that concealed mounting plates or anchors and hardware are not supplied with this product. Ensure that mounting configuration complies with local building codes. For compliance with 2010 ADA Accessibility Standards, install unit so that top of horizontal bar is between 33" [838] and 36" [914] Above Finished Floor (AFF) for use by adults. Other heights are appropriate for other age groups at lower levels.

Toilet Paper Holder Option -25

Grab Bar Configurations <https://americanspecialties.com/wp-content/uploads/grabbarconfig.pdf>

**WARRANTY**

One (1) Year from date of Invoice