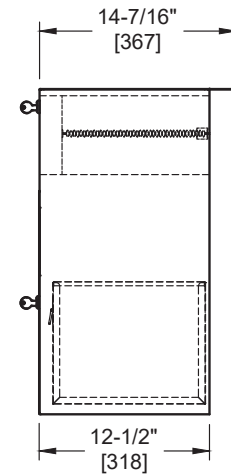
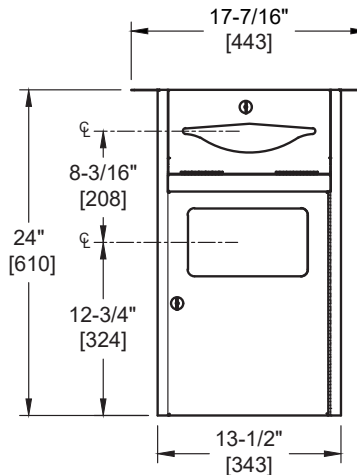
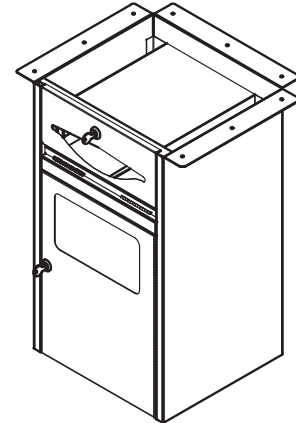
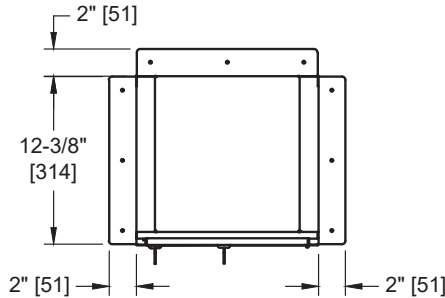


**Under Vanity Paper Towel dispenser and Waste Receptacle**

Waste Receptacles

MasterFormat Section 10 28 13



Scan for Information



**SUSTAINABILITY/LEED**

MR 4.1 (1) MR 6 (1) EQ 4.2 (1)  
MR 4.2 (1) EQ 4.1 (1) EQ 4.4 (1)

**NOTE:**  
ALL DIM'S INCH [MM]  
ILLUSTRATION FOR REF ONLY AND NTS

**PRODUCT OVERVIEW**

Dispenses 300 C-fold or 475 multi-fold paper towels and has a waste capacity of 10 gal (38 L). Waste disposal door is spring loaded to remain shut. Towels are self-feeding until supply is depleted. Unit may be reloaded with a partial load in-place and will continue to feed properly. Waste container is emptied manually. Locked compartments prevent unauthorized access or removal. Cabinet shall be fabricated of 20 gauge alloy 18-8 type 304 stainless steel, internal waste receptacle shall be 24 gauge same grade stainless steel.

**KEY FEATURES & SPECIFICATIONS**

- Waste Disposal Door is Spring-Loaded to remain shut
- Type 304 Stainless Steel - Satin Finish
- Under Vanity
- 300 C-Fold or 475 Multi-Fold / 10.0 Gal. (38.0 L) Waste Capacity

**OPERATION & MAINTENANCE**

Towels are self-feeding until supply is depleted. Unit may be reloaded with a partial load in-place and will continue to feed properly. Waste container is emptied manually on cycle determined by maintenance needs. Locked compartments prevent unauthorized access or removal.

**TECHNICAL INFORMATION / PRODUCT PROPERTIES**

Property	Value
Dimensions	17-7/16" [443] W x 24" [610] H x 14-7/16" [367] D
Construction	Type 304 Stainless Steel - Satin Finish
Mounting	Under Vanity/Counter
Capacity	300 C-Fold or 475 Multi-Fold / 10.0 Gal. (38.0 L) Waste Capacity

**INSTALLATION**

Mount unit under vanity using nine (9) # 10 self-threading screws (by others) through concealed mounting holes provided in top flanges. Minimum height of underside vanity mounting surface is 30" [762] AFF. Minimum counter depth is 28" [711] to allow cabinet front to be behind edge of counter.

**OPTIONS**

N/A

**WARRANTY**

One (1) Year from date of Invoice