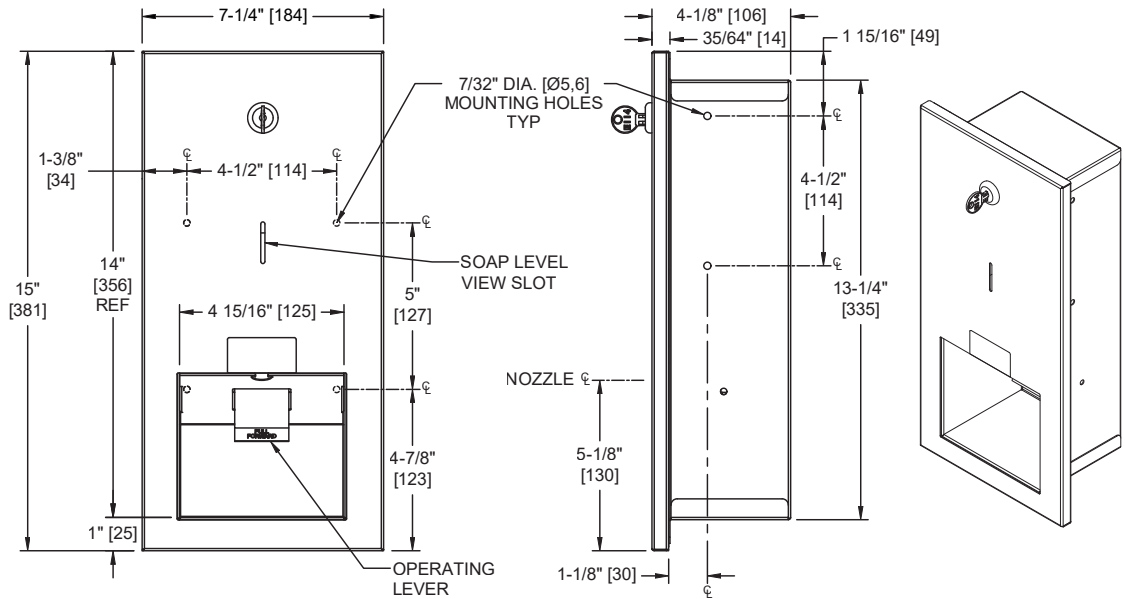


Disposa-Valve Soap Dispenser – Recessed

Soap Dispensers

MasterFormat Section 10 28 13



Scan for Information



SUSTAINABILITY/LEED

MR 4.1 (1) MR 6 (1) EQ 4.2 (1)
MR 4.2 (1) EQ 4.1 (1) EQ 4.4 (1)

NOTE:
ALL DIM'S INCH [MM]
ILLUSTRATION FOR REF ONLY AND NTS
SEE SOAP DISPENSER CARE & MAINTENANCE
DOCUMENT ONLINE FOR CLEANING

PRODUCT OVERVIEW

Fabricated of alloy 18-8 stainless steel, type 304, 18 gauge. Dispenser lever is a ruggedized Zamak alloy casting. Dispenser door attached to unit at the side with a full length 3/16" [5] diameter stainless steel multi-staked piano hinge and shall be held closed with a tumbler lock. A refill viewer slot is provided at front face. Valve fabricated of heavy-duty vinyl and is permanently attached to a disposable soap cartridge. Soap is forced through disposable valve by pulling a lever forward. Disposable cartridges are available to dispense soap, hand lotion, heavy duty cleaner, waterless cleaner and antiseptic soap and are typically good for 1500 washings. Typical soap cartridges are super-concentrated cleansing formula approved for medical and food handling facilities. Soap Requirements: Proper usage of this dispenser requires, that only soap within the following range for viscosity and pH may be used. Viscosity Range (mPa*s or cP): varies with product and manufacturer chosen; see product MSDS and info. pH Range: varies per product.

KEY FEATURES & SPECIFICATIONS

- Accepts Disposable Cartridges
- Type 304 Stainless Steel - Satin Finish
- Recessed
- Disposa-Valve

OPERATION & MAINTENANCE

Soap is forced through disposable valve by pulling a lever forward. Disposable cartridges are available to dispense soap, hand lotion, heavy duty cleaner, waterless cleaner and antiseptic soap and are typically good for 1500 washings. Typical soap cartridges are super-concentrated cleansing formula approved for medical and food handling facilities.

TECHNICAL INFORMATION / PRODUCT PROPERTIES

Property	Value
Dimensions	7-1/4" x 15" x 4-1/2" [184 x 381 x 115]
Construction	Type 304 Stainless Steel - Satin Finish
Mounting	Recessed
Options	N/A

INSTALLATION

Unit is recessed mounted in wall or partition using #10 self-threading screws (by others) through concealed mounting holes. For compliance with ADA Accessibility Guidelines, unit should be installed so that dispenser lever is 54" [1372] maximum Above Finished Floor (AFF) if clear floor side reach access is provided or 48" [1219] maximum AFF if clear floor forward reach access is provided or 46" [1168] max. AFF if side reach over an obstruction is only provided (i.e. vanity). For general utility install unit so that lever is 46" [1168] AFF or 15" [382] above wash basin.

Rough Wall Opening (RWO) required is 5-3/4" W x 13-1/2" H x 4-1/4" D minimum [146 x 343 x 108]

WARRANTY

One (1) Year from date of invoice