



AMERICAN SPECIALTIES, INC.
 441 Saw Mill River Road, Yonkers, NY 10701
 (914) 476.9000 • (914) 476.0688
 www.americanspecialties.com

MODEL №: 645210A.AC-XX

ISSUED: 29 JAN 2019

REVISED: 30 JUN 2021

**PIATTO™ COLLECTION AUTOMATIC PAPER TOWEL DISPENSER
 INSTALLATION GUIDE (PG 1 of 3)**

**IMPORTANT: READ THESE INSTRUCTIONS COMPLETELY PRIOR TO BEGINNING
 INSTALLATION. SAVE FOR FUTURE REFERENCE.**

PREPARE FINISHED WALL OPENING (FWO)

Cabinet is designed to fit into FWO with 1/32" [0,8] operating clearance on all four (4) edges of door and face of door flush with finished wall. Door is the same size as the frame flange. Cabinet is provided with four (4) electrical KO locations for power wiring (by others) if unit is to be used in AC mode. Any one (1) of the four (4) KO locations may be chosen to bring AC power to utility box inside cabinet. Power wiring and use of KO's are not required for A unit. There should be adequate in-wall blocking installed prior to FWO side walls completion to receive and hold cabinet mounting screws. Walls of the FWO must be flat, square, straight & plumb. The edges of the FWO at the finished wall are visible and constitute an appearance surface intersection. See TDS & OM for complete specifications and requirements.

Finished Wall Opening (FWO) required is 16-1/8" [410] W x 28-1/16" [713] H x 10" [254] D Min

INSTALLATION OF MOUNTING HARDWARE

Mount four (4) depth stops in FWO as per diagram on top and bottom of side walls at ceiling & floor lines using depth stop set gage p/n 1811051152. Depth stop set gage is designed to be held by hand while positioning each depth stop. Ensure front tab is set back from finished wall face by 9/16" [14] when securing screws. Retain depth stops with four (4) № 10 x 3/4" [M5 x 20] self-threading pan head screws (by others) through slots provided in depth stops (Fig. 1). Retain depth stop set gage tool for future use with additional cabinets.

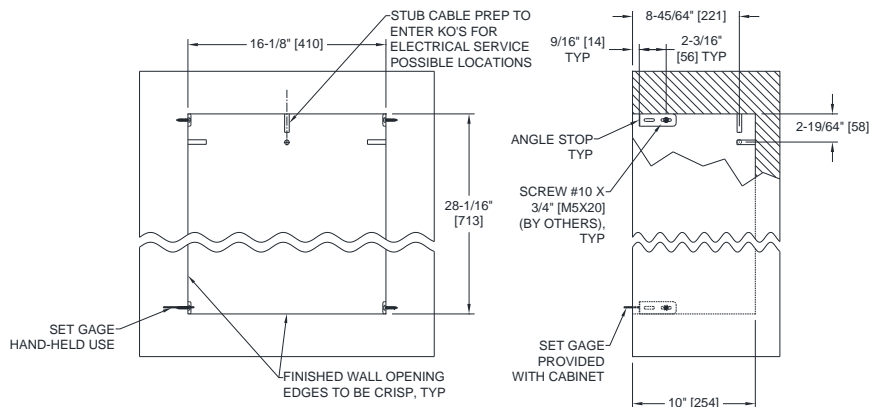
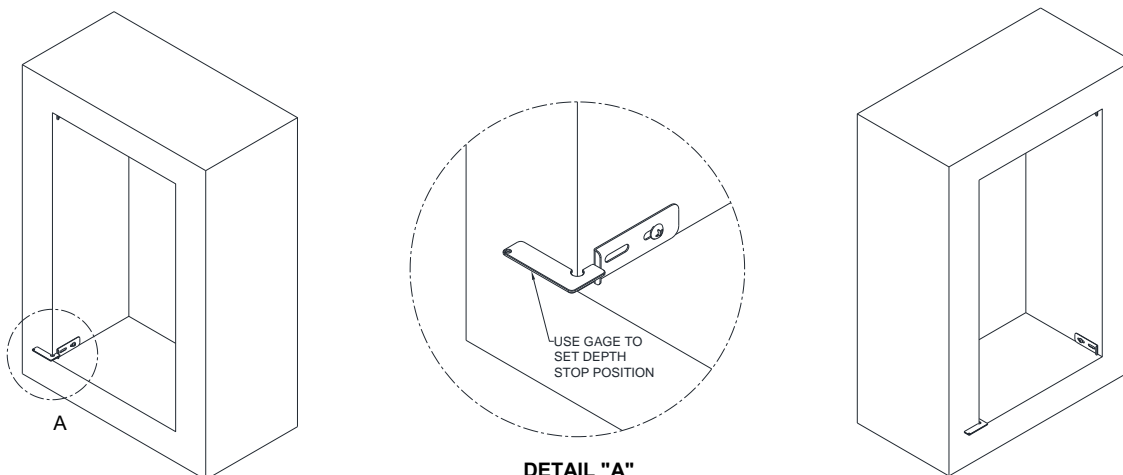


FIG. 1

**BREAKOUT VIEW
FWO INTERIOR**





AMERICAN SPECIALTIES, INC.
441 Saw Mill River Road, Yonkers, NY 10701
(914) 476.9000 • (914) 476.0688
www.americanspecialties.com

MODEL №: 645210A.AC-XX

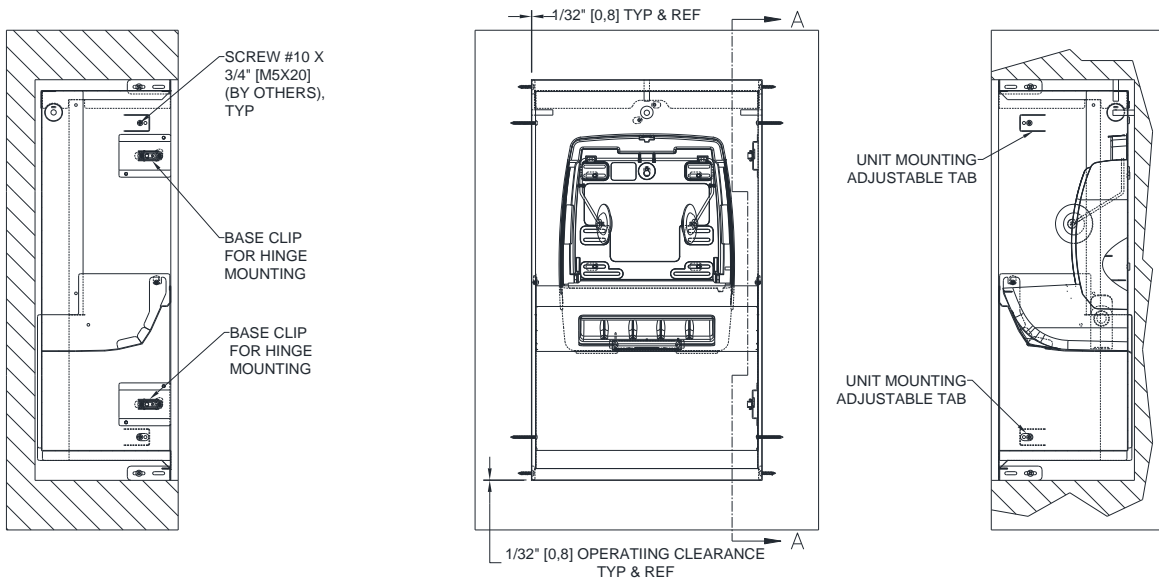
ISSUED: 29 JAN 2019

REVISED: 30 JUN 2021

PIATTO™ COLLECTION AUTOMATIC PAPER TOWEL DISPENSER INSTALLATION GUIDE (PG 2 of 3)

INSTALLATION OF CABINET

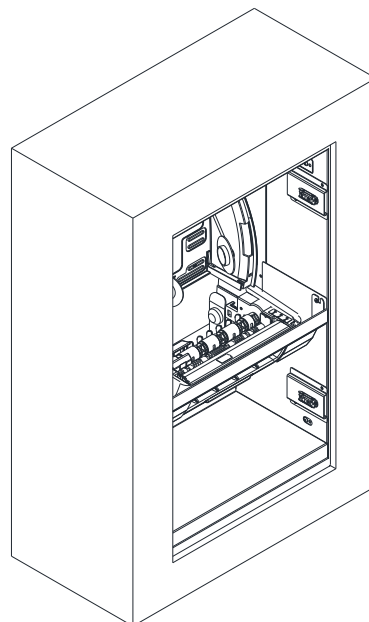
Remove door from cabinet by lifting hinge clip release levers at back end of hinge arms. Move door out of immediate work zone so it is protected from accidental damage. Roll paper towel dispenser mechanism (RPTD) can remain in cabinet during installation. Position cabinet in FWO so flange is tight up against all four (4) depth stop tabs. Maintain 1/32" [0.8] operating clearance on all four (4) edges of door (Fig. 2). Top and bottom spacing may be easily maintained by using 22 gage sheet metal (1/32" [0.8] thick) shims (by others) temporarily under frame edge at bottom. Side spacing will be self-adjusting and automatically self-centering as four (4) № 10 x 1-1/2" [M5 x 38] self-threading pan head screws (by others) are tightened into the pre-installed blocking through the holes provided in the adjustable shim-less mounting tabs as shown in the diagram.



SECTION A-A

FIG. 2

**BREAKOUT VIEW
FWO / CABINET INTERIOR**





AMERICAN SPECIALTIES, INC.
 441 Saw Mill River Road, Yonkers, NY 10701
 (914) 476.9000 • (914) 476.0688
 www.americanspecialties.com

MODEL №: 645210A.AC-XX

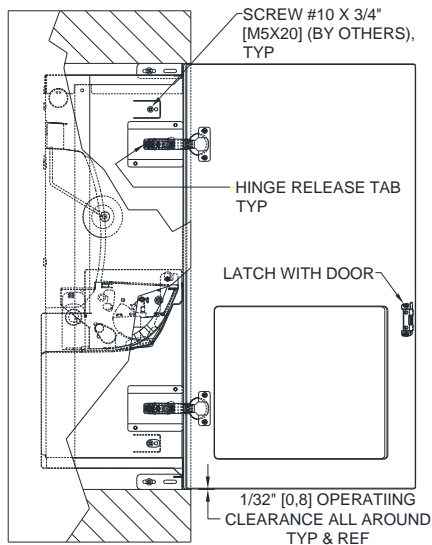
ISSUED: 29 JAN 2019

REVISED: 30 JUN 2021

**PIATTO™ COLLECTION AUTOMATIC PAPER TOWEL DISPENSER
 INSTALLATION GUIDE (PG 3 of 3)**

COMPLETION OF INSTALLATION & CABINET REASSEMBLY

Complete power wiring (by others) for AC unit to utility box and duplex outlet with cover plate. Reconnect door hinges to base clips by engaging retainer bar under arm front with hooks on front of clip and then pressing arm against wall until snap-click is heard (Fig. 3). Ensure that door operating clearance and alignment is still correct by adjusting cabinet hinges with adjustment screws provided on arm and base clip if necessary. Ensure that latch engages with keeper when door is closed. Slight hinge readjustment may be required to achieve smooth release and latching operation. For AC unit, plug AC adapter provided into duplex outlet and insert power plug into power jack at rear bottom RH corner (as viewed from front, see OM) before dressing cable to clear excess length from any operating areas of dispenser mechanism. For A unit, install batteries in correct polarity into battery tray in front compartment of RPTD mechanism and close cover on tray. Load roll paper correctly as per diagram on unit label. Retain these instructions and OM for future reference. Clean packaging debris from area.



**BREAKOUT VIEW
 FWO / CABINET INTERIOR**

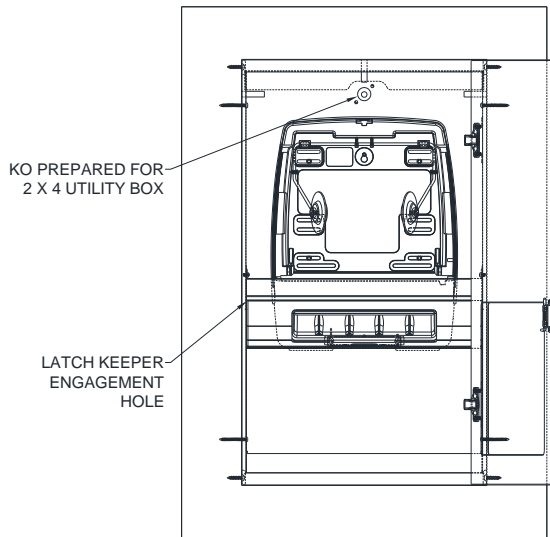


FIG. 2

