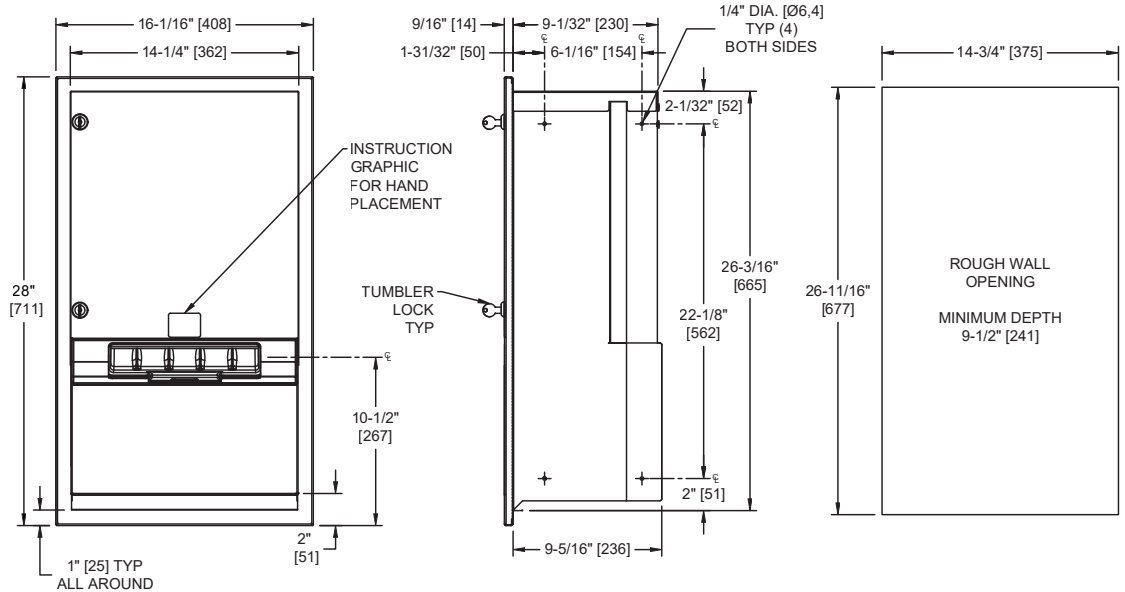


Simplicity™ Collection Automatic Roll Towel Dispenser – Recessed

Paper Towel Dispensers

Simplicity

MasterFormat Section 10 28 13



Scan for Information



SUSTAINABILITY/LEED

MR 4.1 (1) MR 6 (1) EQ 4.2 (1)
MR 4.2 (1) EQ 4.1 (1) EQ 4.4 (1)

NOTE:
ALL DIM'S INCH [MM]
ILLUSTRATION FOR REF ONLY AND NTS
FOR CLEANING INSTRUCTIONS SEE APPROPRIATE SECTIONS IN
PRODUCT CARE & MAINTENANCE BULLETIN (PCM) ON ASI WEBSITE

PRODUCT OVERVIEW

Proximity sensing no-touch recessed unit dispenses an owner-adjustable length per cycle from 8" [203] wide, 800 ft. (244 m) long rolls. Fabricated of 20 gauge stainless steel with satin finish. Powered by 4 D-size batteries (not included).

KEY FEATURES & SPECIFICATIONS

- Seamless construction, crisp lines and minimalistic design
- Concealed multi-staked hinge - 3/16" diameter [Ø5]
- Type 304 Stainless Steel - Satin Finish
- Recessed
- Automatic - Battery Operated - "No Touch"
- Roll Towels - up to 800 ft. Length

OPERATION & MAINTENANCE

Towels are dispensed one length at a time automatically when hands are placed in sensor zone until supply is depleted. Length of towel dispensed is predetermined by owner by making selections on three (3) three-position switches for length, delay, economy. Unit may be reloaded with a full roll to automatically start when finished with an existing partial roll and will continue to feed properly when reloaded with a full roll and partial roll is transferred to stub roll position. Refill dispenser by unlocking door and replacing towel roll for an empty or partially empty unit. Dispenser supply is replenished and batteries are replaced manually on cycles determined by maintenance needs. LED indicates sensing and battery condition. Locking door prevents unauthorized access and roll removal.

TECHNICAL INFORMATION / PRODUCT PROPERTIES

Property	Value
Dimensions	16-1/16" [408] Wx 28" [711] H x 9-1/2" [241] D
Construction	Type 304 Stainless Steel - Satin Finish Concealed multi-staked hinge - 3/16" Dia. [Ø5]
Power	Batteries: Four (4) D-size
Operation	Automatic "No-Touch"
Mounting	Recessed
Capacity	Roll Towels - up to 800 ft. Length

INSTALLATION

Mount unit in wall recess using a minimum of four (4) #10 self-threading screws (by others) through concealed mounting holes provided. Note that top of Rough Wall Opening (RWO) is 3/4" [19] below top of unit. For compliance with 2010 ADA Accessibility Standards, install unit so that top edge of towel dispenser opening is 48" [1219] maximum above finished floor (AFF) only if clear floor forward reach or side reach access is provided. Be advised that local codes may require mounting so that top of towel dispenser opening is 40" [1016] maximum AFF (e.g. California UBC/Title 24). For general utility, install unit with top of towel dispenser opening between 49" [1245] and 56" [1422] AFF.

Rough Wall Opening (RWO) required is 14-1/2" [368] W x 26-1/2" [673] H x 9-1/4" [235] D minimum

WARRANTY

One (1) Year from date of Invoice