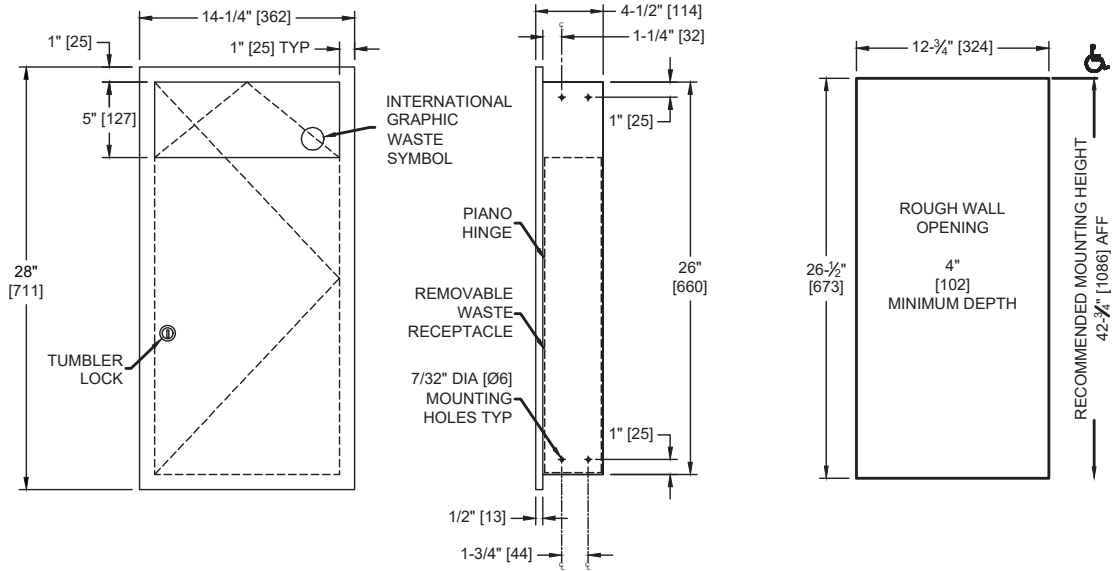


**Simplicity™ Collection Waste Receptacle – Recessed**

Waste Receptacles

Simplicity

MasterFormat Section 10 28 13



Scan for Information



**SUSTAINABILITY/LEED**

MR 4.1 (1) MR 6 (1) EQ 4.2 (1)  
MR 4.2 (1) EQ 4.1 (1) EQ 4.4 (1)

**NOTE:**  
ALL DIM'S INCH [MM]  
ILLUSTRATION FOR REF ONLY AND NTS

**PRODUCT OVERVIEW**

Stainless steel waste receptacle holds 4 gal. (15 L) of waste and has a self-closing panel that covers its opening. Cabinet door held closed with a tumbler lock. Waste container fabricated of heavy duty corrosion resistant steel with a handle for easy grip. Waste is inserted through self-closing push door. Locked compartment prevents unauthorized access. Full face door shall be formed from one piece of 18 gauge alloy 18-8 type 304 stainless steel, cabinet shall be 20 gauge same grade stainless steel with no fastening devices or spot welded seams.

**KEY FEATURES & SPECIFICATIONS**

- Seamless construction, crisp lines and minimalistic design
- Type 304 Stainless Steel - Satin Finish
- Recessed
- Push door has self-closing spring
- 4.0 Gal. (15.0 L) Waste Capacity

**OPERATION & MAINTENANCE**

Waste is inserted through self-closing push door. Waste container is emptied manually on cycle determined by maintenance needs. Locked compartment prevents unauthorized access.

**TECHNICAL INFORMATION / PRODUCT PROPERTIES**

Property	Value
Dimensions	14-1/4" [362] W x 28" [711] H x 4-1/2" [114] D
Construction	Type 304 Stainless Steel - Satin Finish
Mounting	Recessed
Capacity	4.0 Gal. (15.0 L) Waste Capacity

**INSTALLATION**

Mount unit in wall recess or partition using #10 self-threading screws (by others) through concealed mounting holes. For compliance with 2010 ADA Accessibility Standards, install unit with top edge no higher than 48" [1219] Above Finished Floor (AFF).

Rough Wall Opening (RWO) required is 12-3/4" [324] W x 26-1/2" [673] H x 4-1/4" [108] D minimum

**OPTIONS**

N/A

**WARRANTY**

One (1) Year from date of Invoice