

**Simplicity Collection Paper Towel (Multi - C-Fold - Single) Dispenser & Waste Receptacle – Surface Mounted**

Paper Towel Combination Units

Simplicity

MasterFormat Section 10 28 13

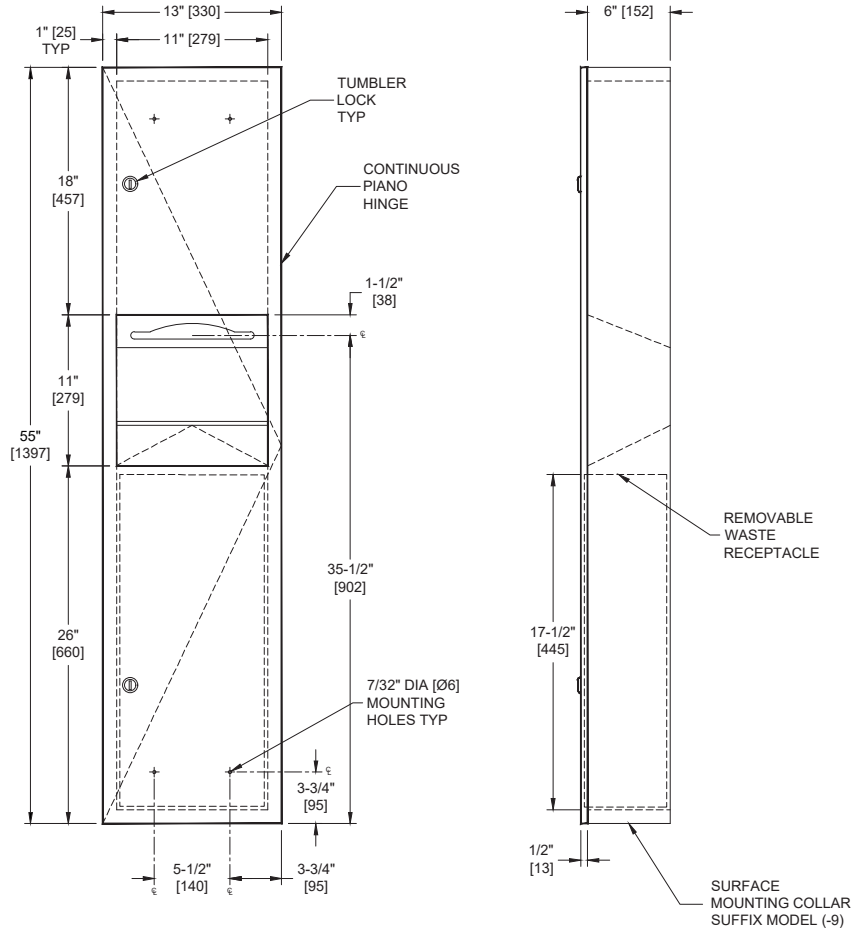


Scan for Information



**SUSTAINABILITY/LEED**

MR 4.1 (1) EQ 4.1 (1)  
MR 4.2 (1) EQ 4.2 (1)  
MR 6 (1) EQ 4.4 (1)



**NOTE:**  
ALL DIM'S INCH [MM]  
ILLUSTRATION FOR REF ONLY AND NTS  
FOR CLEANING INSTRUCTIONS SEE APPROPRIATE SECTIONS IN  
PRODUCT CARE & MAINTENANCE BULLETIN (PCM) ON ASI WEBSITE

**PRODUCT OVERVIEW**

Dispenses 600 C-Fold, 800 multi-fold or 1100 single-fold towels. 7 gal. (26.5 L) stainless steel waste receptacle. Adjustable guide provided to allow dispensing of single-fold, multi-fold or C-fold paper towels. Door held closed with two (2) tumbler locks. Surface mounted with stainless steel collar. Paper towels are manually withdrawn through dispensing slot. A towel adapter ensures that towels feed properly until depleted. Unit will continue to feed properly when reloaded with a partial load in place. Refill dispenser by unlocking door and replacing towels for an empty or partially empty unit. Dispenser supply is replenished and waste container is emptied manually. Locking full-face door over compartments prevents unauthorized access or removal.

**KEY FEATURES & SPECIFICATIONS**

- Seamless construction, crisp lines and minimalistic design
- Concealed multi-staked hinge - 3/16" diameter [Ø5]
- Type 304 Stainless Steel - Satin Finish
- 7 Gal. (26.5 L) Waste Capacity
- Surface Mounted - w/ -9 Collar
- Adjustable guide provided to allow dispensing of single-fold, multi-fold or C-fold paper towels.
- 600 C-Fold or 800 Multi-Fold OR 1,100 Single-Fold

**OPERATION & MAINTENANCE**

Towels are self-feeding until supply is depleted. Unit may be reloaded with a partial load in-place and will continue to feed properly. Waste receptacle is emptied manually on a cycle determined by maintenance needs. Locking door prevents unauthorized access or removal.

**TECHNICAL INFORMATION / PRODUCT PROPERTIES**

| Property     | Value   |
|--------------|---|
| Dimensions   | 13" [330] W x 55" [1397] H x 6-1/2" [145] D   |
| Construction | Type 304 Stainless Steel - Satin Finish<br>Concealed multi-staked hinge - 3/16" diameter [Ø5] |
| Mounting     | Surface Mounted - w/ -9 Collar  |
| Capacity     | 600 C-Fold or 800 Multi-Fold OR 1,100 Single-Fold / 7 Gal. (26.5 L) Waste Capacity            |

**INSTALLATION**

Install unit in wall recess with #10 self-threading screws (by others) through concealed mounting holes provided. For compliance with 2010 ADA Accessibility Standards, install unit so that centerline of towel dispenser slot is 48" [1219] maximum Above Finish Floor (AFF). Note that top of Rough Wall Opening (RWO) is 3/4" [19] below top of unit.

RWO required is 11-1/2" [292] W x 53-1/2" [1359] H x 6" [152] D minimum

**WARRANTY**

One (1) Year from date of Invoice