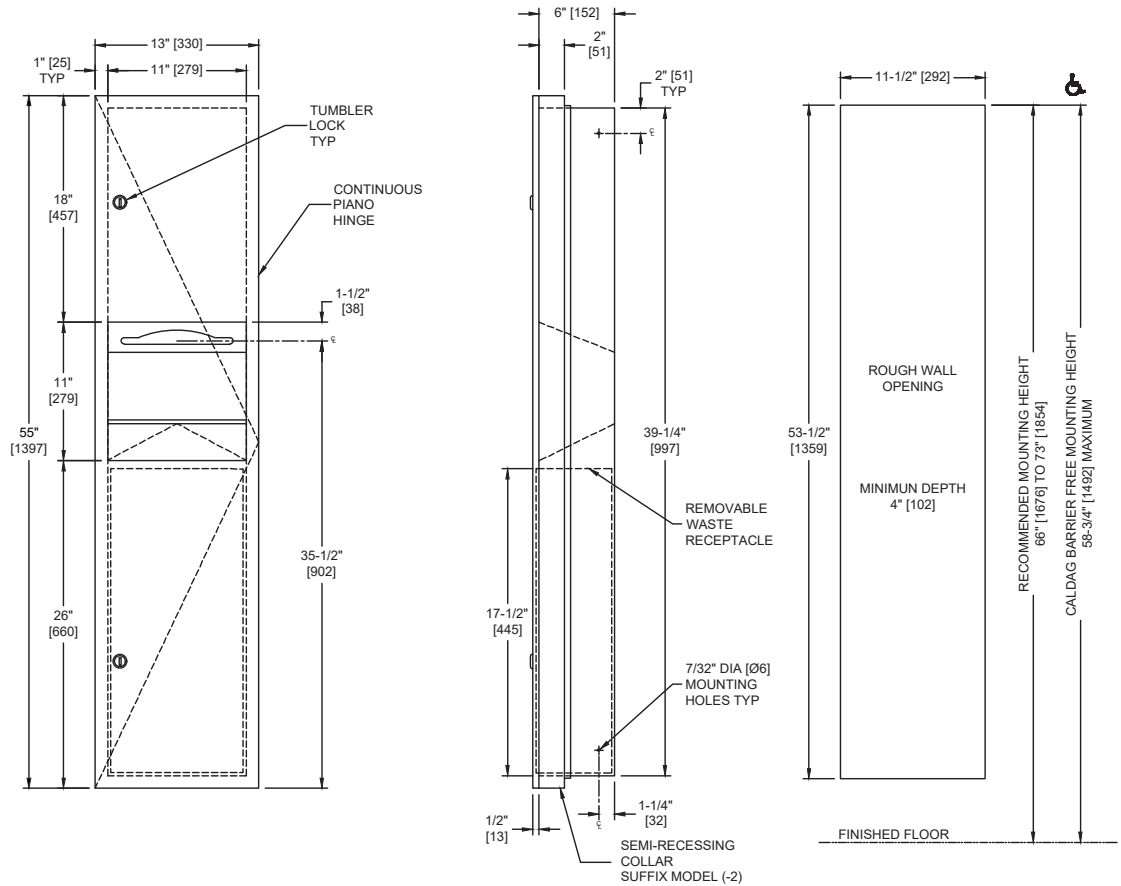
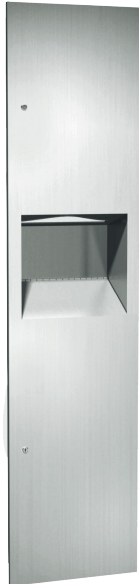


Simplicity Collection Paper Towel (Multi - C-Fold - Single) Dispenser & Waste Receptacle – Recessed

Paper Towel Combination Units

Simplicity

MasterFormat Section 10 28 13



NOTE:
ALL DIM'S INCH [MM]
ILLUSTRATION FOR REF ONLY AND NTS
FOR CLEANING INSTRUCTIONS SEE APPROPRIATE SECTIONS IN
PRODUCT CARE & MAINTENANCE BULLETIN (PCM) ON ASI WEBSITE

Scan for Information



SUSTAINABILITY/LEED

MR 4.1 (1) EQ 4.1 (1)
MR 4.2 (1) EQ 4.2 (1)
MR 6 (1) EQ 4.4 (1)

PRODUCT OVERVIEW

Dispenses 600 C-Fold, 800 multi-fold or 1100 single-fold towels. 7 gal. (26.5 L) stainless steel waste receptacle. Adjustable guide provided to allow dispensing of single-fold, multi-fold or C-fold paper towels. Door held closed with two (2) tumbler locks. Paper towels are manually withdrawn through dispensing slot. A towel adapter ensures that towels feed properly until depleted. Unit will continue to feed properly when reloaded with a partial load in place. Refill dispenser by unlocking door and replacing towels for an empty or partially empty unit. Dispenser supply is replenished and waste container is emptied manually. Locking full-face door over compartments prevents unauthorized access or removal.

KEY FEATURES & SPECIFICATIONS

- Seamless construction, crisp lines and minimalistic design
- Concealed multi-staked hinge - 3/16" diameter [Ø5]
- Type 304 Stainless Steel - Satin Finish
- 7 Gal. (26.5 L) Waste Capacity
- Recessed
- Adjustable guide provided to allow dispensing of single-fold, multi-fold or C-fold paper towels.
- 600 C-Fold or 800 Multi-Fold OR 1,100 Single-Fold

OPERATION & MAINTENANCE

Paper towels are manually withdrawn through dispensing slot. A towel adapter ensures that towels feed properly until depleted. Unit will continue to feed properly when reloaded with a partial load in place. Refill dispenser by unlocking door and replacing towels for an empty or partially empty unit. Dispenser supply is replenished and waste container is emptied manually on cycles determined by maintenance needs. Locking full-face door over compartments prevents unauthorized access or removal.

TECHNICAL INFORMATION / PRODUCT PROPERTIES

Property	Value
Dimensions	13" [330] W x 55" [1397] H x 6-1/2" [165] D
Construction	Type 304 Stainless Steel - Satin Finish
Mounting	Recessed
Capacity	600 C-Fold or 800 Multi-Fold OR 1,100 Single-Fold / 7 Gal. (26.5 L) Waste Capacity

INSTALLATION

Install unit in wall recess with #10 self-threading screws (by others) through concealed mounting holes provided. For compliance with 2010 ADA Accessibility Standards, install unit so that centerline of towel dispenser slot is 48" [1219] maximum Above Finish Floor (AFF). Note that top of Rough Wall Opening (RWO) is 3/4" [19] below top of unit.

Rough Wall Opening (RWO) required is 11-1/2" [292] W x 53-1/2" [1359] H x 6" [152] D minimum

WARRANTY

One (1) Year from date of Invoice