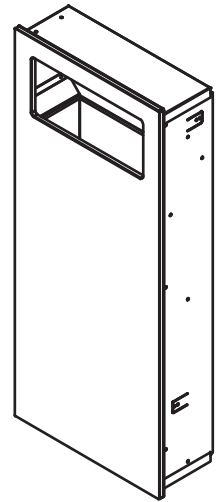
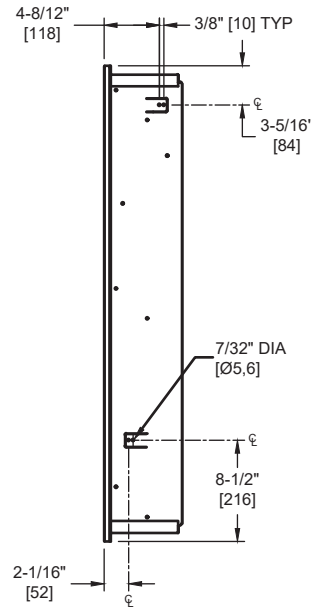
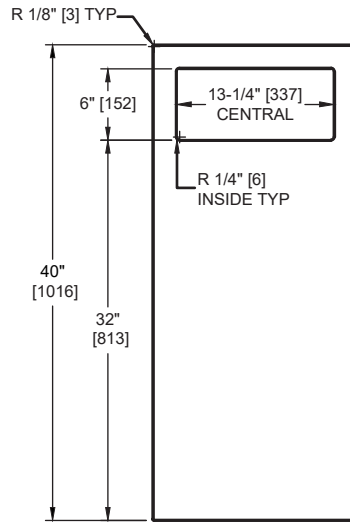


PIATTO™ COMPLETELY RECESSED WASTE RECEPTACLE – White Phenolic Door

Waste Receptacles

Piatto

MasterFormat Section 10 28 13

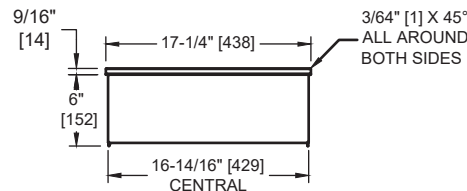


Scan for Information



SUSTAINABILITY/LEED

MR 4.1 (1) MR 6 (1) EQ 4.2 (1)
MR 4.2 (1) EQ 4.1 (1) EQ 4.4 (1)



NOTE:
ALL DIM'S INCH [MM]
ILLUSTRATION FOR REF ONLY AND NTS

PRODUCT OVERVIEW

This sophisticated waste receptacle is designed to be completely recessed into the plane of the washroom wall, highlighting the seamless design that defines Piatto™. The phenolic door is attached to the cabinet using field-adjustable, furniture quality hinges and is secured shut by an internal spring-loaded latch. All hardware is concealed giving the Piatto™ Collection its minimalist appeal. Waste receptacle holds 12 gal. (46 L) of washroom waste materials. Waste is inserted through opening at upper section of waste container, which is emptied manually. Door is White Formica 949.

KEY FEATURES & SPECIFICATIONS

- Designed to be completely recessed with no protrusion from the wall at all
- White phenolic door unique to Piatto™ adds elegance
- Furniture style hinges are field adjustable to ensure perfect fit
- All metal parts are made of Type 304 Stainless Steel
- All hardware, including the latch, is concealed
- Fits with virtually no gap into a finished wall opening

OPERATION & MAINTENANCE

Waste is inserted through opening at upper section of unit. Waste container is emptied manually on cycle determined by maintenance needs.

TECHNICAL INFORMATION / PRODUCT PROPERTIES

Property	Value
Dimensions	17-1/4" [4384] W x 40" [1016] H x 6-9/16" [166] D
Construction	Type 304 Stainless Steel Frame w/White Phenolic Door Furniture style hinges are field adjustable to ensure perfect fit
Mounting	Concealed Mounting
Capacity	Fits with virtually no gap into a finished wall opening

INSTALLATION

Mount unit in wall recess using four (4) # 10 x 1-1/2" [M5 x 38] self-threading Pan Head screws (by others) through concealed mounting holes provided. For compliance with 2010 ADA Accessibility Standards, install unit so that the center of the waste receptacle opening is 48" [1219] maximum Above Finished Floor (AFF).

Finished Wall Opening (FWO) required is 17-5/16" [440] W x 40-1/16" [1018] H x 6-11/16" [170] D minimum

OPTIONS

N/A

WARRANTY

One (1) Year from date of Invoice