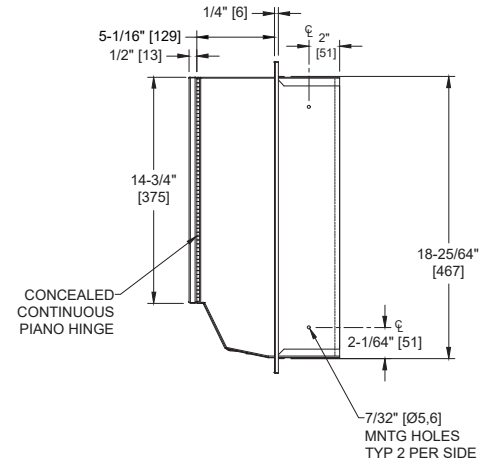
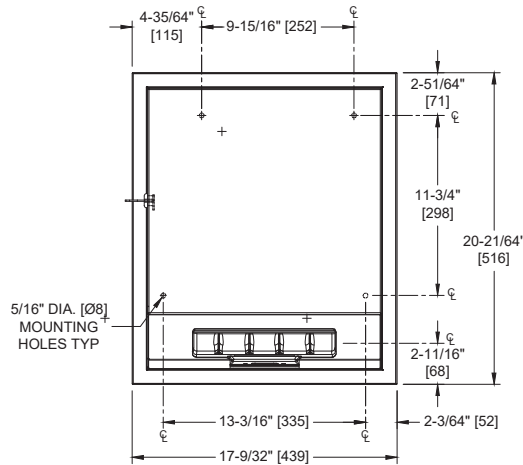
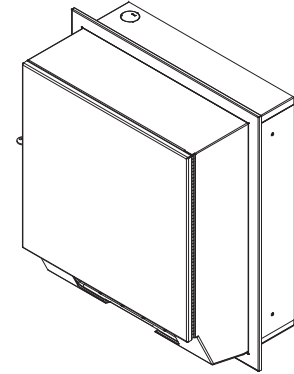
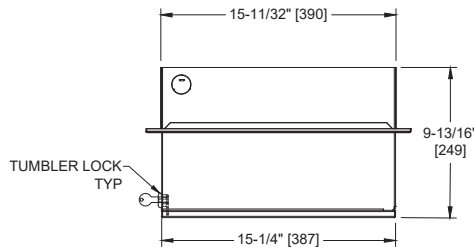


Simplicity™ Collection Automatic Roll Towel Dispenser, Battery Operated – Semi-Recessed

Paper Towel Dispensers

Simplicity

MasterFormat Section 10 28 13



NOTE:
ALL DIM'S INCH [MM]
ILLUSTRATION FOR REF ONLY AND NTS
FOR CLEANING INSTRUCTIONS SEE APPROPRIATE SECTIONS IN
PRODUCT CARE & MAINTENANCE BULLETIN (PCM) ON ASI WEBSITE

Scan for Information



SUSTAINABILITY/LEED

MR 4.1 (1) MR 6 (1) EQ 4.2 (1)
MR 4.2 (1) EQ 4.1 (1) EQ 4.4 (1)

PRODUCT OVERVIEW

Proximity sensing no-touch unit dispenses a pre-set length per cycle from 8" [203] standard towel roll up to 800 ft. (244m) long and has stub roll capability for continuous dispensing. Powered by 4 D-size batteries (not included). Includes frame for semi-recessed mounting. Towels are dispensed one length at a time automatically when hands are placed in sensor zone until supply is depleted. Owner predetermines length of towel dispensed by making selections on three (3) three-position switches for length, delay, and economy. Unit may be reloaded with a full roll to automatically start when finished with an existing partial roll and will continue to feed properly when reloaded with a full roll and partial roll is transferred to stub roll position. Refill dispenser by unlocking door and replacing towel roll for an empty or partially empty unit. Dispenser supply is replenished and batteries are replaced manually. LED indicates sensing and battery condition. Locking door prevents unauthorized access and roll removal.

KEY FEATURES & SPECIFICATIONS

- Seamless construction, crisp lines and minimalistic design
- Concealed multi-staked hinge - 3/16" diameter [Ø5]
- Type 304 Stainless Steel - Satin Finish
- Semi-Recessed - w/ 4" collar
- Automatic - Battery Operated - "No Touch"
- Roll Towels - up to 800 ft. Length / 13.5 Gal. (51.1 L) Waste Capacity

OPERATION & MAINTENANCE

Towels are dispensed one length at a time automatically when hands are placed in sensor zone until supply is depleted. Owner predetermines length of towel dispensed by making selections on three (3) three-position switches for length, delay, and economy. Unit may be reloaded with a full roll to automatically start when finished with an existing partial roll and will continue to feed properly when reloaded with a full roll and partial roll is transferred to stub roll position. Refill dispenser by unlocking door and replacing towel roll for an empty or partially empty unit. Dispenser supply is replenished and batteries are replaced manually on cycles determined by maintenance needs. LED indicates sensing and battery condition. Locking door prevents unauthorized access and roll removal.

TECHNICAL INFORMATION / PRODUCT PROPERTIES

Property	Value
Dimensions	17-1/4" [439] W x 20-5/16" [516] H x 9-13/16" [249] D
Construction	Type 304 Stainless Steel - Satin Finish Concealed multi-staked hinge - 3/16" Dia. [Ø5]
Power	Batteries: Four (4) D-size
Operation	Automatic "No-Touch"
Mounting	Semi-Recessed - w/ 4" collar
Capacity	Roll Towels - up to 800 ft. Length / 13.5 Gal. (51.1 L) Waste Capacity

INSTALLATION

Provide adequate in-wall reinforcement (by others) in drywall construction to hold mounted unit in Rough Wall Opening (RWO) after wall is finished. Provide appropriate anchors (by others) to suit wall and field conditions for installation into walls other than new drywall. Mount unit in wall using #10 or 1/4" (M5 or M6) x 1-1/2" [38] self-threading pan head screws (by others) or other suitable fasteners (by others) through concealed mounting holes provided in rear wall of cabinet. Alternatively, installer may use concealed mounting holes in side walls of cabinet behind frame. Towel mechanism 8374 is supplied installed. Connect ground wire ring terminal (provided) to housing back hole (provided) with self-threading screw (by others) sized #10 x 1/4" [M5x6] Philips Pan Head with internal tooth lock washer (by others). For compliance with ICC/ANSI A-117.1-2003 and 2010 ADA Accessibility Standards, install unit so that top edge of towel dispenser opening is 48" [1219] maximum above finished floor (AFF) only if clear floor reach access is provided. Be advised that local codes may require mounting so that top of towel dispenser opening is 40" [1016] maximum AFF (e.g. California UBC/Title 24). For general utility, install unit with top of towel dispenser opening between 49" [1245] and 56" [1422] AFF.

Rough Wall Opening (RWO) required is 15-1/2" [394] W x 19" [483] H x 4-1/8" [102] D minimum

WARRANTY

One (1) Year from date of Invoice