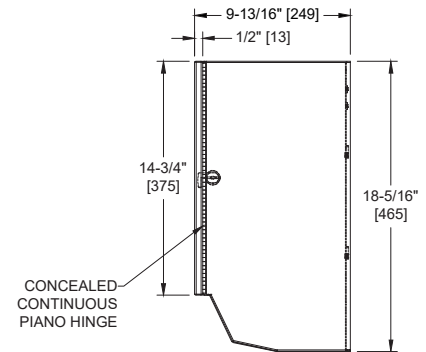
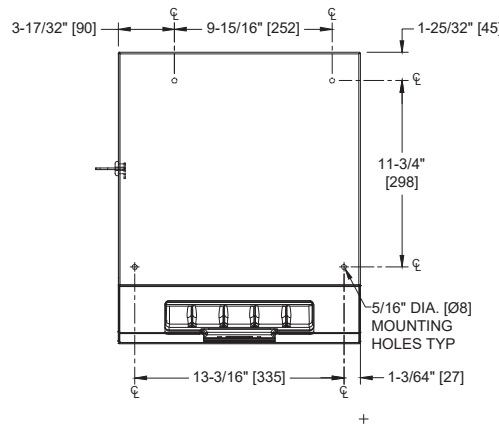
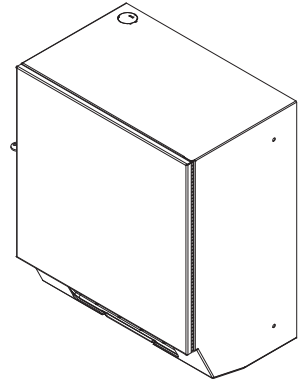
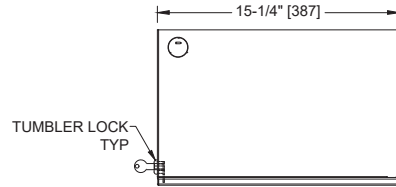


Simplicity™ Collection Automatic Roll Towel Dispenser, Battery Operated – Surface Mounted

Paper Towel Dispensers

Simplicity

MasterFormat Section 10 28 13



Scan for Information



SUSTAINABILITY/LEED

MR 4.1 (1) MR 6 (1) EQ 4.2 (1)
MR 4.2 (1) EQ 4.1 (1) EQ 4.4 (1)

NOTE:
ALL DIM'S INCH [MM]
ILLUSTRATION FOR REF ONLY AND NTS
FOR CLEANING INSTRUCTIONS SEE APPROPRIATE SECTIONS IN
PRODUCT CARE & MAINTENANCE BULLETIN (PCM) ON ASI WEBSITE

PRODUCT OVERVIEW

Proximity sensing no-touch unit dispenses a pre-set length per cycle from 8" [203] standard towel roll up to 800 ft. (244m) long and has stub roll capability for continuous dispensing. Powered by 4 D-size batteries (not included). Towels are dispensed one length at a time automatically when hands are placed in sensor zone until supply is depleted. Owner predetermines length of towel dispensed by making selections on three (3) three-position switches for length, delay, and economy. Unit may be reloaded with a full roll to automatically start when finished with an existing partial roll and will continue to feed properly when reloaded with a full roll and partial roll is transferred to stub roll position. Refill dispenser by unlocking door and replacing towel roll for an empty or partially empty unit. Dispenser supply is replenished and batteries are replaced manually. LED indicates sensing and battery condition. Locking door prevents unauthorized access and roll removal.

KEY FEATURES & SPECIFICATIONS

- Seamless construction, crisp lines and minimalistic design
- Concealed multi-staked hinge - 3/16" diameter [Ø5]
- Type 304 Stainless Steel - Satin Finish
- Surface Mounted
- Automatic - Battery Operated - "No Touch"
- Roll Towels - up to 800 ft. [244M] Length / 13.5 Gal. (51.1 L) Waste Capacity

OPERATION & MAINTENANCE

Push self-closing disposal door to deposit waste material. Doors operate independently and may be used simultaneously. Seat covers are self-feeding until supply is depleted. Toilet paper rolls feed freely until depleted and level of supply is constantly visible for low-level warning. Waste receptacle is emptied manually on cycle determined by maintenance needs. Toilet paper rolls, paper seat covers and waste receptacle are serviced by unlocking and opening door. Locked door prevents inadvertent dumping and unauthorized removal. Waste container safety-edged finger hole provides convenient grip for service. Toilet paper spindles are carried in vandal resistant sub-frame accessible when door is opened. Barrier baffle panels preserve privacy between stalls at all times.

TECHNICAL INFORMATION / PRODUCT PROPERTIES

| Property | Value |
|--------------|---|
| Dimensions | 15-1/4" [387] W x 18-5/16" [465] H x 9-1/2" [241] D |
| Construction | Type 304 Stainless Steel - Satin Finish Concealed multi-staked hinge - 3/16" Dia. [Ø5] |
| Power | Batteries: Four (4) D-size |
| Operation | Automatic "No-Touch" |
| Mounting | Surface Mounted |
| Capacity | Roll Towels - up to 800 ft. Length / 13.5 Gal. (51.1 L) Waste Capacity |

INSTALLATION

Mount unit in partition using #10 x 3/4" self-threading Philips oval head screws (supplied). Holes in flanges are offset to prevent screw interference. Install unit so that top of face trim is 57" [1448] to 61" [1549] above finished floor (AFF). Mount unit in partition using #10 x 3/4" self-threading Philips oval head screws (supplied). Holes in flanges are offset to prevent screw interference.

*Note: partition cutout is 7/8" [22] below top of face trim.

WARRANTY

One (1) Year from date of Invoice