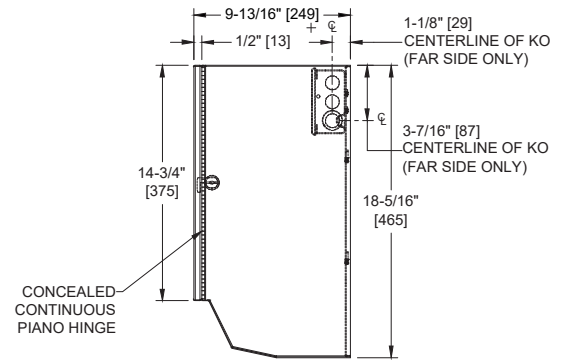
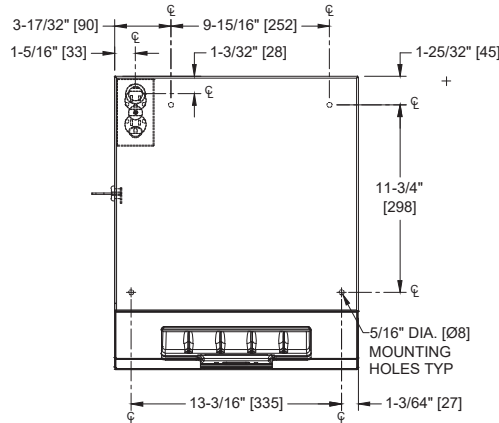
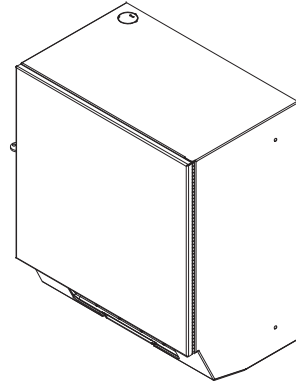
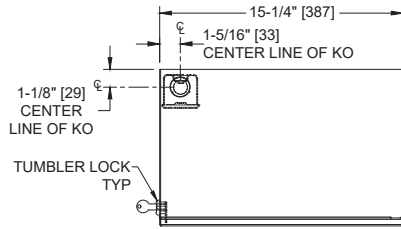


**Simplicity™ Collection Automatic Roll Towel Dispenser, 110-240V/AC – Surface Mounted**

Paper Towel Dispensers

Simplicity

MasterFormat Section 10 28 13



Scan for Information



**SUSTAINABILITY/LEED**

MR 4.1 (1) MR 6 (1) EQ 4.2 (1)  
MR 4.2 (1) EQ 4.1 (1) EQ 4.4 (1)

**NOTE:**  
ALL DIM'S INCH [MM]  
ILLUSTRATION FOR REF ONLY AND NTS  
FOR CLEANING INSTRUCTIONS SEE APPROPRIATE SECTIONS IN  
PRODUCT CARE & MAINTENANCE BULLETIN (PCM) ON ASI WEBSITE

**PRODUCT OVERVIEW**

Proximity sensing no-touch unit dispenses a pre-set length per cycle from 8" [203] standard towel roll up to 800 ft. (244m) long and has stub roll capability for continuous dispensing. Powered by internal low-voltage adapter (supplied) using 110-240V/AC, 50/60 Hz and providing output of 5VDC @ 1A. Towels are dispensed one length at a time automatically when hands are placed in sensor zone until supply is depleted. Owner predetermines length of towel dispensed by making selections on three (3) three-position switches for length, delay, and economy. Unit may be reloaded with a full roll to automatically start when finished with an existing partial roll and will continue to feed properly when reloaded with a full roll and partial roll is transferred to stub roll position. Refill dispenser by unlocking door and replacing towel roll for an empty or partially empty unit. Dispenser supply is replenished manually. LED indicates sensing and operation. Locking door prevents unauthorized access and roll removal.

**KEY FEATURES & SPECIFICATIONS**

- Seamless construction, crisp lines and minimalistic design
- Concealed multi-staked hinge - 3/16" diameter [Ø5]
- Type 304 Stainless Steel - Satin Finish
- Surface Mounted
- Automatic - AC - 110 - 240V - "No Touch"
- Roll Towels - up to 800 ft. Length / 13.5 Gal. (51.1 L) Waste Capacity

**OPERATION & MAINTENANCE**

Push self-closing disposal door to deposit waste material. Doors operate independently and may be used simultaneously. Seat covers are self-feeding until supply is depleted. Toilet paper rolls feed freely until depleted and level of supply is constantly visible for low-level warning. Waste receptacle is emptied manually on cycle determined by maintenance needs. Toilet paper rolls, paper seat covers and waste receptacle are serviced by unlocking and opening door. Locked door prevents inadvertent dumping and unauthorized removal. Waste container safety-edged finger hole provides convenient grip for service. Toilet paper spindles are carried in vandal resistant sub-frame accessible when door is opened. Barrier baffle panels preserve privacy between stalls at all times.

**TECHNICAL INFORMATION / PRODUCT PROPERTIES**

Property	Value
Dimensions	15-1/4" [387] W x 18-5/16" [465] H x 9-1/2" [241] D
Construction	Type 304 Stainless Steel - Satin Finish Concealed multi-staked hinge - 3/16" Dia. [Ø5]
Power	110-240V AC
Operation	Automatic "No-Touch"
Mounting	Surface Mounted
Capacity	Roll Towels - up to 800 ft. Length / 13.5 Gal. (51.1 L) Waste Capacity

**INSTALLATION**

Mount unit in partition using #10 x 3/4" Philips oval head self-threading screws (supplied). Holes in flanges are offset to prevent screw interference. Install unit so that top of face trim is 57" [1448] to 61" [1549] above finished floor (AFF). Mount unit in partition using #10 x 3/4" Philips oval head self-threading screws (supplied). Holes in flanges are offset to prevent screw interference.

\*Note: partition cutout is 7/8" [22] below top of face trim.

**WARRANTY**

One (1) Year from date of Invoice