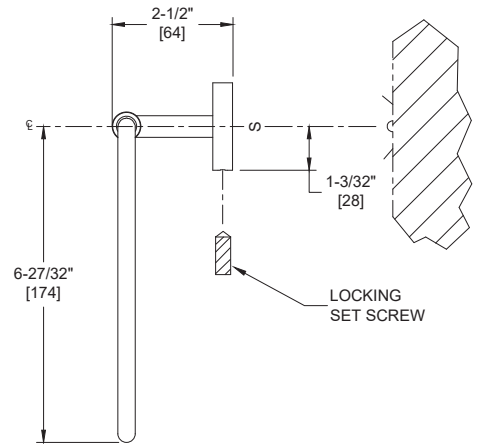
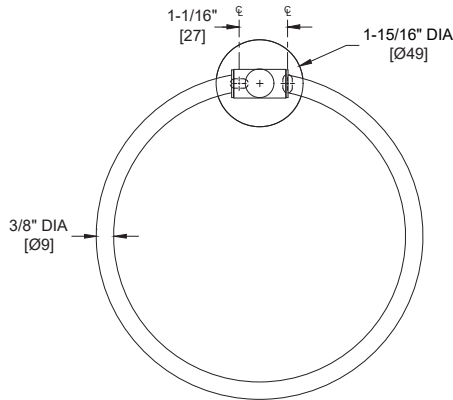
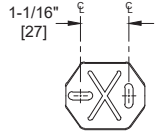
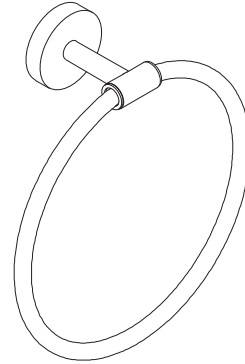
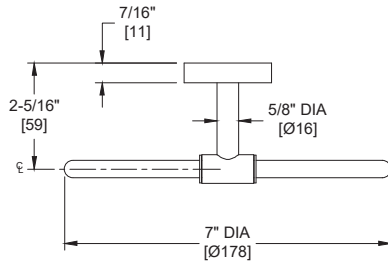


**Towel Ring**

Specialty Accessories

MasterFormat Section 10 28 13



**NOTE:**  
ALL DIM'S INCH [MM]  
ILLUSTRATION FOR REF ONLY AND NTS

Scan for Information



**SUSTAINABILITY/LEED**

MR 4.1 (1) MR 6 (1) EQ 4.2 (1)  
MR 4.2 (1) EQ 4.1 (1) EQ 4.4 (1)

**PRODUCT OVERVIEW**

Designed for hand towels, this 7" diameter [178 diameter] towel ring is formed from a 3/8" diameter [9 diameter] satin-finish stainless steel tube. Extends 2-1/2" [64] from wall.

**KEY FEATURES & SPECIFICATIONS**

- Type 304 Stainless Steel - Satin Finish
- Surface Mounted
- 22 Gauge Post
- 18 Gauge Bracket

**OPERATION & MAINTENANCE**

Towel ring swings in silencer bushings to allow easy access to hang or retrieve towel. Formed ring is held captive in bushings on post by spring tension and will hold bath or hand towels.

**TECHNICAL INFORMATION / PRODUCT PROPERTIES**

Property	Value
Dimensions	1-15/16" diameter [Ø49] Flange x 7" diameter [Ø178] Ring x 2-1/2" [64] Projection
Construction	Type 304 Stainless Steel - Satin Finish
Mounting	Surface Mounted
Capacity	

**INSTALLATION**

Surface mount unit to finished wall or on door with two (2) M4x39 (#6 x 1-1/2") self-threading pan head screws (provided) through holes provided in wall bracket into plastic wall anchors (provided) or other suitably prepared mountings (by others) or other suitable mounting hardware (by others) to suit wall conditions. Clip flange onto wall bracket and tighten setscrew to lock it in place. For compliance with 2010 ADA Accessibility Standards install unit with top of towel ring 48" [1219] maximum Above Finished Floor (AFF) if clear floor reach access is provided or 46" [1168] max AFF if side reach access over an obstruction (e.g. vanity) with reach depth greater than 10" [254] and less than 25" [635] is only provided or 44" [1118] max AFF if forward reach over an obstruction with reach depth reater than 20" [508] and less than 25" [635] is only provided. For general utility install ring with centerline of mounting plate between 50" and 60" [1270 and 1524] AFF.

**ADDITIONAL INFORMATION**

N/A

**WARRANTY**

One (1) Year from date of Invoice