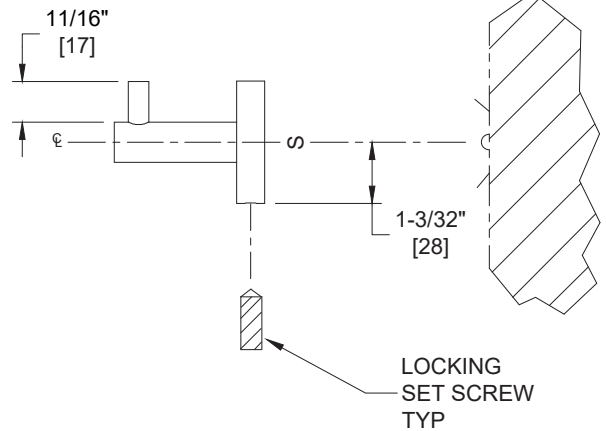
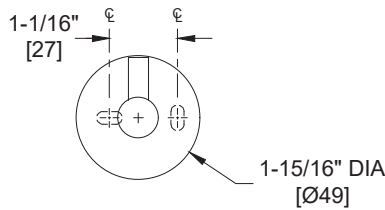
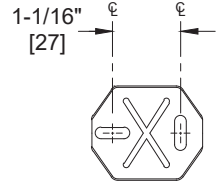
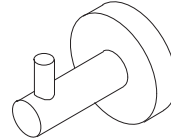
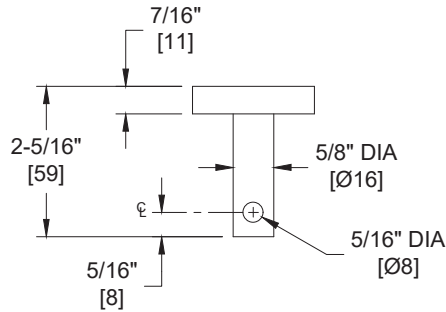


Single Robe Hook

Specialty Accessories

MasterFormat Section 10 28 13



NOTE:
ALL DIM'S INCH [MM]
ILLUSTRATION FOR REF ONLY AND NTS

Scan for Information



SUSTAINABILITY/LEED

MR 4.1 (1) MR 6 (1) EQ 4.2 (1)
MR 4.2 (1) EQ 4.1 (1) EQ 4.4 (1)

PRODUCT OVERVIEW

Extends 2-5/16" [59] from wall or door. Suitable for robes, clothing or small bags. Satin finish stainless steel hook. Hex L-key (M2.5) is provided to lock set screw to secure unit to wall bracket.

KEY FEATURES & SPECIFICATIONS

- Single Hook
- Type 304 Stainless Steel - Satin Finish
- Surface Mounted
- 22 Gauge Post
- 18 Gauge Bracket

OPERATION & MAINTENANCE

Hook is suitable for robes or clothing and small carry bags.

TECHNICAL INFORMATION / PRODUCT PROPERTIES

Property	Value
Dimensions	1-15/16" [49] W x 1-15/16" [49] H x 2-5/16" [59] D
Construction	Type 304 Stainless Steel - Satin Finish
Mounting	Surface Mounted
Capacity	

INSTALLATION

Surface mount unit to door back or finished wall with two (2) M4x39 (#6 x 1-1/2") pan head self-threading screws (provided) through holes provided in wall bracket into plastic wall anchors (provided) or other suitably prepared mountings (by others) or other suitable mounting hardware (by others) to suit door or wall conditions. Clip flange onto wall bracket and tighten setscrew to lock it in place. For compliance with 2010 ADA Accessibility Standards install unit with top of hook 48" [1219] maximum Above Finished Floor (AFF) if clear floor reach is provided. For general utility install hook with centerline of mounting plate 68" [1727] AFF.

ADDITIONAL INFORMATION

N/A

WARRANTY

One (1) Year from date of Invoice