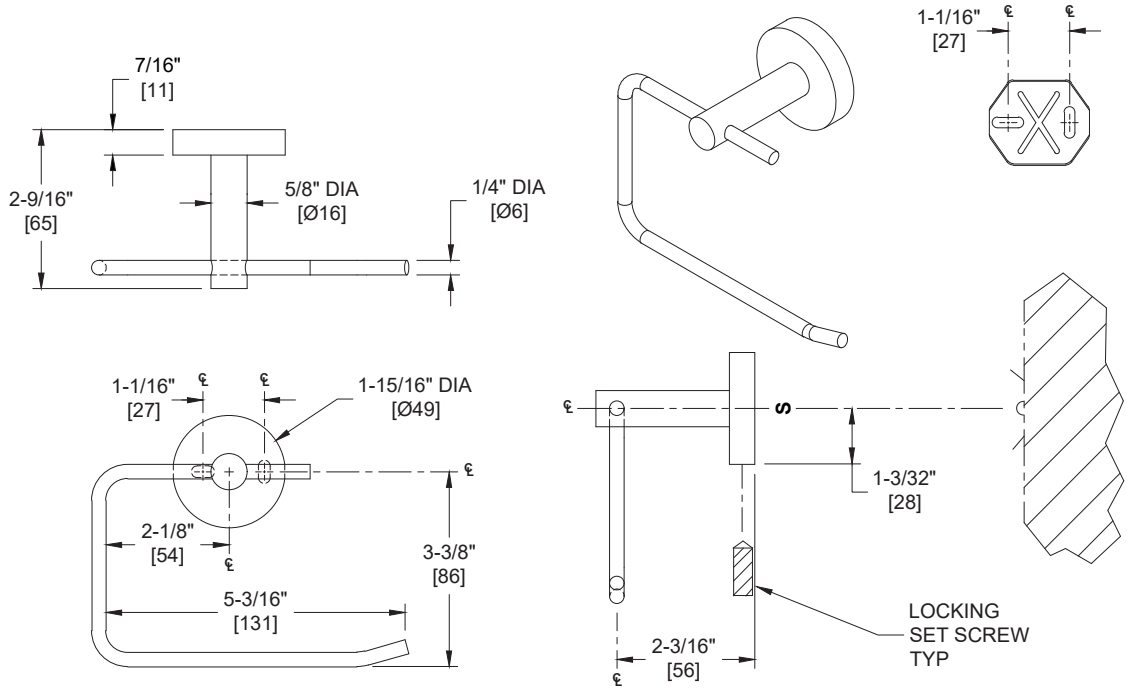


**Toilet Tissue Roll Holder (Single)**

Toilet Tissue Dispensers

MasterFormat Section 10 28 13



Scan for Information



**SUSTAINABILITY/LEED**

MR 4.1 (1) MR 6 (1) EQ 4.2 (1)  
MR 4.2 (1) EQ 4.1 (1) EQ 4.4 (1)

**NOTE:**  
ALL DIM'S INCH [MM]  
ILLUSTRATION FOR REF ONLY AND NTS

**PRODUCT OVERVIEW**

The toilet paper placed on this bail-type holder has unrestricted feed. Its design allows for easy replacement by maintenance or even guests. All exposed surfaces have a satin finish stainless steel. Paper bar is reversible to change handing.

**KEY FEATURES & SPECIFICATIONS**

- Single Roll Dispenser
- Type 304 Stainless Steel - Satin Finish
- Surface Mounted

### **OPERATION & MAINTENANCE**

One roll of toilet paper is placed on the bail type holder for ready availability and feed is unrestricted. Bail holder swings freely in post to allow easy use and roll replacement. Toilet paper is replenished on a cycle determined by maintenance needs.

### **TECHNICAL INFORMATION / PRODUCT PROPERTIES**

<b>Property</b>	<b>Value</b>
Dimensions	5-3/16" [131] W x 3-3/8" [86] H x 2-3/16" [56] D
Construction	Type 304 Stainless Steel - Satin Finish
Mounting	Surface Mounted
Capacity	Holds one (1) roll of standard core roll toilet paper up to 5" Dia. [Ø127]

### **INSTALLATION**

Surface mount unit to finished wall with two (2) #6 x 1-1/2" [M4 x 39] pan head self-threading screws (provided) through holes provided in wall bracket into plastic wall anchors (provided) or other suitably prepared mountings (by others) or other suitable mounting hardware (by others) to suit wall conditions. Clip flange onto wall bracket and tighten setscrew to lock it in place. For compliance with 2010 ADA Accessibility Standards install unit so that top of paper holder is between 19" [483] minimum above finished floor (AFF) to 48" [1219] maximum AFF and centerline of post is between 7" [178] and 9" [229] from front of commode. Recommended general mounting height is 32" [813] AFF.

### **OPTIONS**

### **WARRANTY**

One (1) Year from date of Invoice