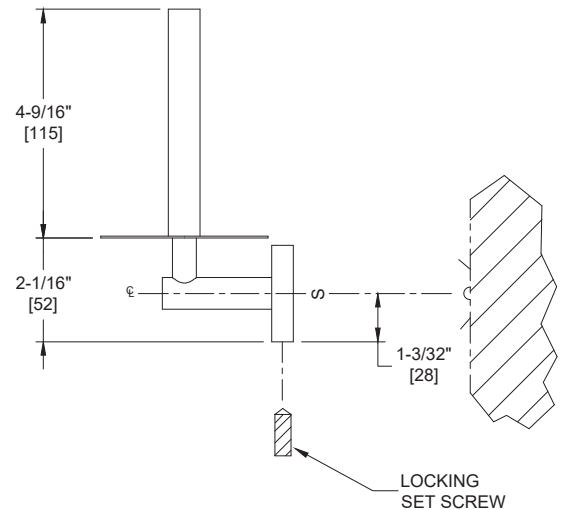
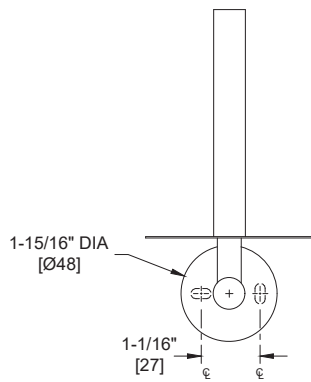
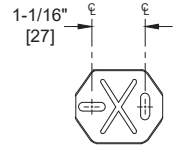
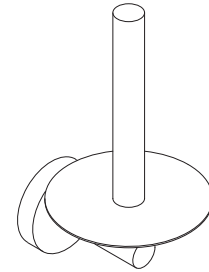
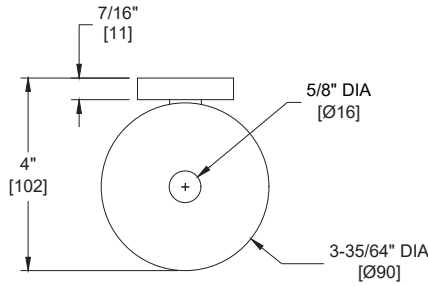


**Toilet Tissue Spare Holder, Vertical**

Toilet Tissue Dispensers

MasterFormat Section 10 28 13



Scan for Information



**SUSTAINABILITY/LEED**

MR 4.1 (1) MR 6 (1) EQ 4.2 (1)  
MR 4.2 (1) EQ 4.1 (1) EQ 4.4 (1)

**NOTE:**  
ALL DIM'S INCH [MM]  
ILLUSTRATION FOR REF ONLY AND NTS

**PRODUCT OVERVIEW**

Holds one roll of toilet paper. Extends 4" [102] from wall. All exposed surfaces have a satin finish stainless steel.

**KEY FEATURES & SPECIFICATIONS**

- Toilet Tissue Spare Holder, Vertical
- Type 304 Stainless Steel - Satin Finish
- Surface Mounted - Vertical
- Tubing shall be 22 gauge and roll support plate shall be 20 gauge steel

**OPERATION & MAINTENANCE**

One roll of toilet paper is placed over the post type holder for ready availability when dispenser roll is finished. Toilet paper is replenished on a cycle determined by maintenance needs.

**TECHNICAL INFORMATION / PRODUCT PROPERTIES**

Property	Value
Dimensions	3-35/64" [90] Dia. x 6-5/8" [167]
Construction	Type 304 Stainless Steel - Satin Finish
Mounting	Surface Mounted - Vertical
Capacity	Holds one (1) roll of standard core roll toilet paper up to 5" Dia. [Ø127]

**INSTALLATION**

One roll of toilet paper is placed on the bail type holder for ready availability and feed is unrestricted. Bail holder swings freely in post to allow easy use and roll replacement. Toilet paper is replenished on a cycle determined by maintenance needs.

**OPTIONS**
**WARRANTY**

One (1) Year from date of Invoice