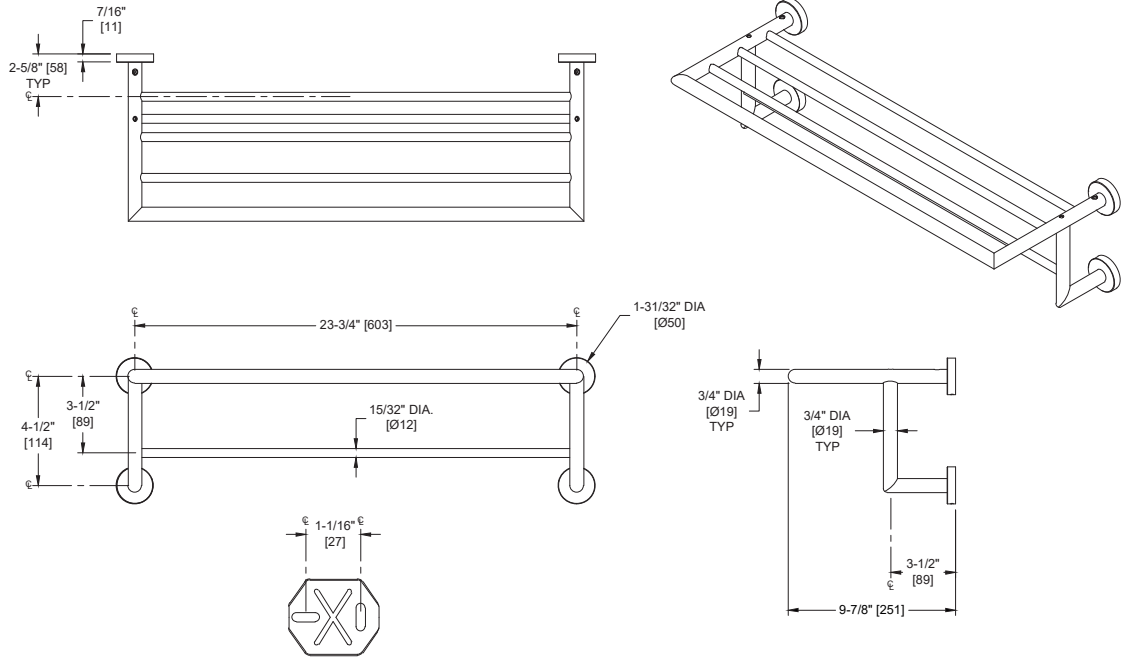


Towel Shelf with Hanger Rod

Hospitality Accessories

MasterFormat Section 10 28 13



Scan for Information



SUSTAINABILITY/LEED

MR 4.1 (1) MR 6 (1) EQ 4.2 (1)
MR 4.2 (1) EQ 4.1 (1) EQ 4.4 (1)

NOTE:
ALL DIM'S INCH [MM]
ILLUSTRATION FOR REF ONLY AND NTS

PRODUCT OVERVIEW

Shelf has open spaces between tubes to reduce weight and facilitate drying. Properly installed shelf will support up to 35.3lbs (16 kg) total weight of towels and items hung on rod. Heavy-duty unit with 19 gauge 3/4" Dia. [Ø19] type 304 stainless steel tubing. Stainless steel setscrew provided on bottom perimeter of flanges to lock unit to mounting plates.

KEY FEATURES & SPECIFICATIONS

- Facilitates towel drying with open spaces between rods
- With hanger Rod
- Type 304 Stainless Steel - Satin Finish
- Can hold up to 35.3lbs (16.0 kg)

OPERATION & MAINTENANCE

Shelf has open spaces between tubes to reduce weight and facilitate drying. Properly installed shelf will support up to 35.3 lbs (16 kg) total weight of towels and items hung on rod.

TECHNICAL INFORMATION / PRODUCT PROPERTIES

Property	Value
Dimensions	23-3/4" [603] W x 4-1/2" [114] H x 9-7/8" [251] H
Construction	Type 304 Stainless Steel - Satin Finish
Mounting	Wall Mounted
Capacity	Can hold up to 35.3lbs (16.0 kg)

INSTALLATION

Surface mount unit on wall using eight (8) #6 x 1-3/8" [M4x35] self-threading screws (supplied) through holes provided in mounting plates into anchors (supplied) in suitably prepared walls (by others) or other suitable mounting hardware (by others) to suit wall conditions. Waterproof screw penetrations through tiles in wet area installations. Hang shelf post and flange assemblies on mounting plates and tighten setscrews to lock unit to plates with hex key provided. For compliance with 2010 ADA Accessibility Standards, install unit with top of shelf 48" [1219] maximum above finished floor (AFF) if clear floor reach access is provided or 46" [1168] max AFF if side reach access over an obstruction (e.g. tub) with reach depth greater than 10" [254] and less than 25" [635] is only provided or 44" [1118] max AFF if forward reach over an obstruction with reach depth greater than 20" [508] and less than 25" [635] is only provided. For general utility, mount unit with top rim of shelf 55" [1397] to 65" [1651] above floor.

WARRANTY

One (1) Year from date of Invoice