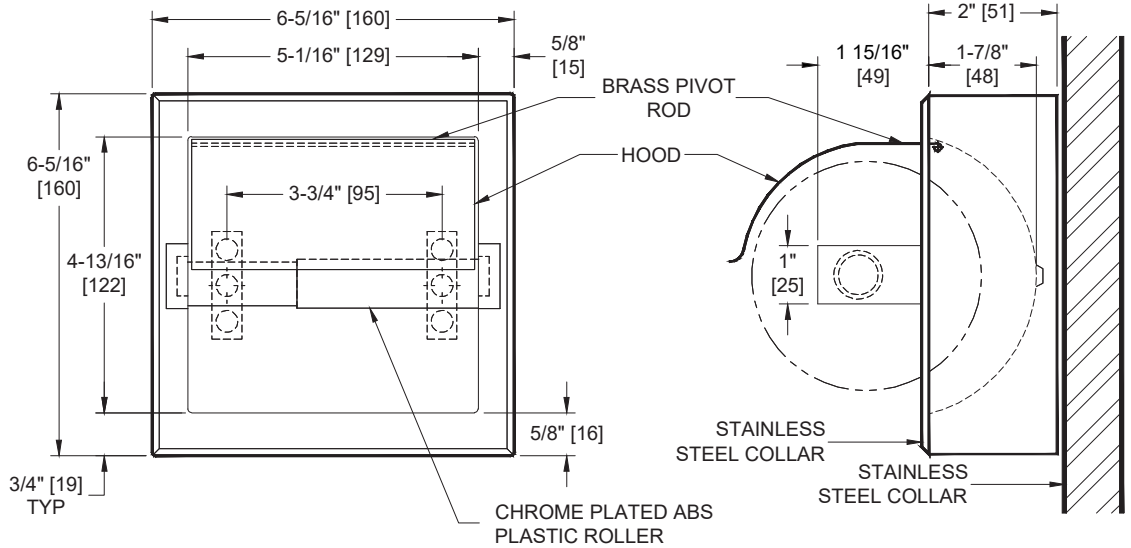
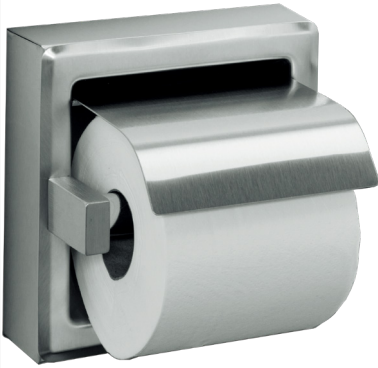


Toilet Tissue Holder with Hood (Single) – Surface Mounted, Satin

Toilet Tissue Dispensers

MasterFormat Section 10 28 13



Scan for Information



SUSTAINABILITY/LEED

MR 4.1 (1) MR 6 (1) EQ 4.2 (1)
MR 4.2 (1) EQ 4.1 (1) EQ 4.4 (1)

NOTE:
ALL DIM'S INCH [MM]
ILLUSTRATION FOR REF ONLY AND NTS

PRODUCT OVERVIEW

Satin Finish. Includes Hood. Surface Mounted Toilet Paper Holder holds and dispenses all standard core roll tissue up to 6" diameter [Ø152] roll. Fabricated of stainless steel type 304 alloy 18-8. Roller is chrome plated high impact resistant ABS plastic and spring-loaded. Select product with options from Model Options drop-down, below: Optional finish must be specified as satin. Specify finish by adding code suffixes to model number (i.e. 7402-HSSM). -S: Satin Finish For theft-resistant spindle, add R-009 after model number.

KEY FEATURES & SPECIFICATIONS

- Single Roll - Hooded Dispenser
- Type 304 Stainless Steel - Satin Finish
- Surface Mounted

OPERATION & MAINTENANCE

Spring-loaded spindles revolve freely and hold rolls until cores are removed.

TECHNICAL INFORMATION / PRODUCT PROPERTIES

Property	Value
Dimensions	6-5/16" [160] x 6-5/16" [160]
Construction	Type 304 Stainless Steel - Satin Finish
Mounting	Surface Mounted
Capacity	Holds one (1) roll of standard core roll toilet paper up to 6" Dia. [Ø152]

INSTALLATION

Locate unit and transfer hole positions to wall. Drill two (2) 7/32" Dia. [Ø6] clearance holes through tile and/or wallboard only. Use two (2) #10 stainless steel Philips flat or oval head self-threading or wood screws (by others) of suitable length to penetrate blocking in wall by approximately 1/2" [13]. Tighten screws to hold unit tight against finished wall face.

OPTIONS

Installation Options:

Optional Method for Dry Wall Mounting: Locate unit and transfer hole positions to wall. Drill two (2) holes appropriate for expansion anchors into masonry substrate. Tap proper expansion anchors (provided by others to suit wall conditions) into wall to be flush with wall face. Use two (2) stainless steel Philips flat or oval head #10AB self-threading screws (provided by others to suit wall conditions) through dimpled holes at back of shell. Tighten screws to hold unit tight against finished wall face.

For compliance with 2010 ADA Accessibility Standards Install unit with centerline of roller 19" [483] min AFF to 42" [1067] max AFF and 7" [178] min to 9" [229] max from front of commode to centerline of dispenser.

WARRANTY

One (1) Year from date of Invoice