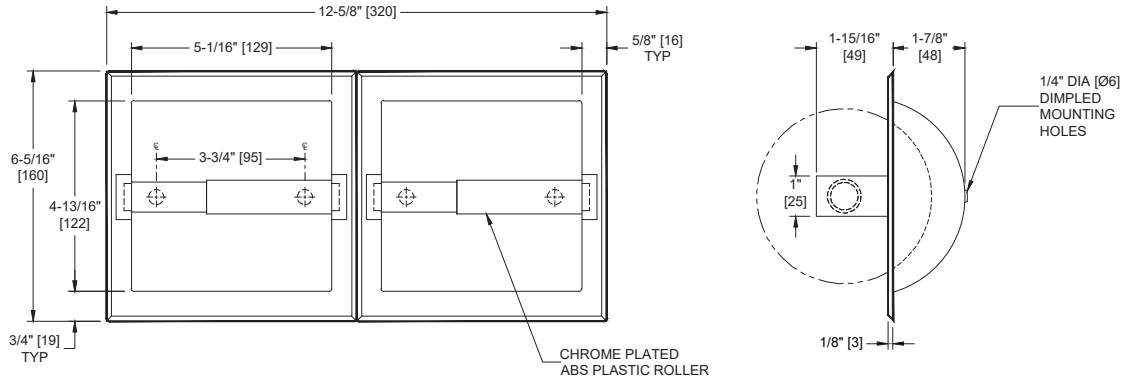


Toilet Tissue Holder (Double) – Recessed, Bright

Toilet Tissue Dispensers

MasterFormat Section 10 28 13



Scan for Information



SUSTAINABILITY/LEED

MR 4.1 (1) MR 6 (1) EQ 4.2 (1)
MR 4.2 (1) EQ 4.1 (1) EQ 4.4 (1)

NOTE:
ALL DIM'S INCH [MM]
ILLUSTRATION FOR REF ONLY AND NTS

PRODUCT OVERVIEW

Bright finish. Recessed Double Toilet Tissue Holder holds and dispenses all standard core roll tissue up to 6" diameter [Ø152] roll (holds two (2) rolls). Fabricated of stainless steel type 304 alloy 18-8. Roller is chrome plated high impact resistant ABS plastic and spring-loaded. Select product with options from Model Options drop-down, below: If drywall installation is required, add suffix "D" to model number. If wetwall installation is required, add "W" to model number (no clamp is required for wetwall). Optional finish and mounting style must be specified as bright and wet or drywall. Specify finish and mounting by adding code suffixes to model number (i.e. 74022-BD or 74022-BW). -B: Bright Finish -D: Drywall Holes -W: Wetwall Lugs For theft-resistant spindle, add R-009 after model number.

KEY FEATURES & SPECIFICATIONS

- Double Roll - Hooded Dispenser
- Type 304 Stainless Steel - Bright Finish
- Recessed

OPERATION & MAINTENANCE

Spring-loaded spindles revolve freely and hold rolls until cores are removed.

TECHNICAL INFORMATION / PRODUCT PROPERTIES

Property	Value
Dimensions	12-1/2" [320] x 6-1/4" [160]
Construction	Type 304 Stainless Steel - Bright Finish
Mounting	Recessed
Capacity	Holds two (2) rolls of standard core roll toilet paper up to 6" Dia. [Ø152]

INSTALLATION

For Standard Dry Wall Recessed Mounting: Use two (2) #10 stainless steel Philips flat or oval head self-threading or wood screws (by others) of suitable length to penetrate blocking in back of RWO by approximately 1/2" [13]. Apply a continuous bead of silicone sealant (by others) behind flange. Tighten screws to hold flange tight against finished wall face. Wipe off excess sealant immediately.

Rough Wall Opening (RWO) required is 11-3/4" [298] W x 5-1/2" [140] H x 2" [51] D minimum

OPTIONS

Installation Options:

For Wet wall Recessed Mounting: Slop grout into Rough Wall Opening. Apply grout to back of unit and on perforated lugs and push unit into opening to seat flange flush with wall face. Allow unit to set and grout to cure before use.

Optional Method for Dry Wall Recessed Mounting: Order separate item Model #39 dry wall clamp. Loosely attach clamp to the back of the unit with two (2) stainless steel Philips flat or oval head #10B (or 10AB or 10BP) self-threading screws (provided by others to suit wall conditions) through dimpled holes at back of shell. Apply a continuous bead of silicone sealant (by others) behind flange. Insert into RWO and adjust clamp so that it grips inside wall surface through opening. Secure accessory to clamp and wall by tightening screws. Wipe off excess sealant immediately.

For compliance with 2010 ADA Accessibility Standards Install unit with centerline of roller 19" [483] min AFF to 42" [1067] max AFF and 7" [178] min to 9" [229] max from front of commode to centerline of dispenser.

WARRANTY

One (1) Year from date of Invoice