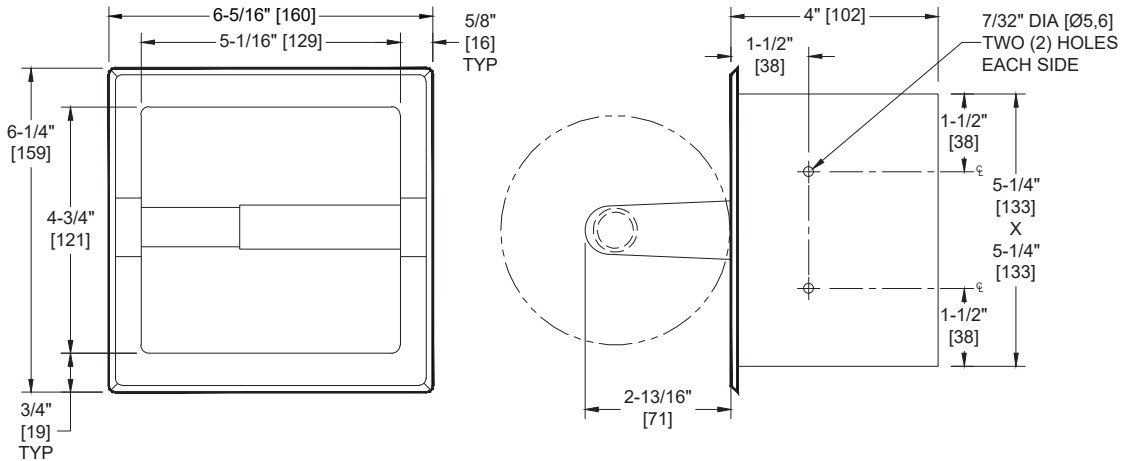
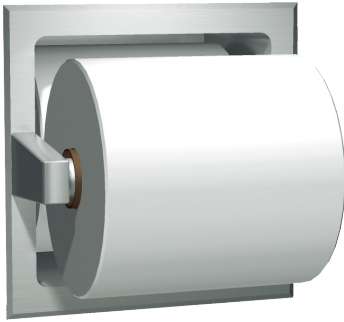


Spare Roll Toilet Tissue Holder – Recessed, Satin Finish

Toilet Tissue Dispensers

MasterFormat Section 10 28 13



Scan for Information



SUSTAINABILITY/LEED

MR 4.1 (1) MR 6 (1) EQ 4.2 (1)
MR 4.2 (1) EQ 4.1 (1) EQ 4.4 (1)

NOTE:
ALL DIM'S INCH [MM]
ILLUSTRATION FOR REF ONLY AND NTS

PRODUCT OVERVIEW

Satin Finish. Holds two (2) rolls and dispenses one (1) roll at a time of standard core roll toilet paper up to 5-1/8" diameter [Ø130] rolls. Box holds one (1) extra toilet paper roll in reserve. Spring-loaded roller is chrome plated high impact resistant ABS plastic and revolves freely. Reserve roll is protected from access until roll in-use is completely exhausted. Spring-loaded spindle holds roll until core is removed. All exposed surfaces are satin or bright finish as chosen by option and indicated by code suffix. Model Option Notes: 7403-B – Bright finish 7403-S – Satin finish

KEY FEATURES & SPECIFICATIONS

- Spare Toilet Roll Holder
- Type 304 Stainless Steel - Satin Finish
- Recessed

OPERATION & MAINTENANCE

Spindle revolves freely. Reserve roll is protected from access until roll in-use is completely exhausted. Spring-loaded spindle holds roll until core is removed. Service staff replaces reserve roll on a cycle determined by maintenance needs.

TECHNICAL INFORMATION / PRODUCT PROPERTIES

Property	Value
Dimensions	6-5/16" [160] W x 6-1/4" [160] H x 6-13/16" [173] D
Construction	Type 304 Stainless Steel - Satin Finish
Mounting	Recessed
Capacity	Holds two (2) rolls and dispenses one (1) roll at a time of standard core roll toilet paper up to 5-1/8" diameter [Ø130] rolls

INSTALLATION

Insert into RWO and mount unit in wall recess using #10 stainless steel Philips flat or oval head self-threading screws or wood

Rough Wall Opening (RWO) required is 5-1/2" [140] W x 5-1/2" [140] H x 4" [102] D minimum

OPTIONS
WARRANTY

One (1) Year from date of Invoice