



AMERICAN SPECIALTIES, INC.
441 Saw Mill River Road, Yonkers, NY 10701
(914) 476.9000 • (914) 476.0688
www.americanspecialties.com

MODEL №: 7487

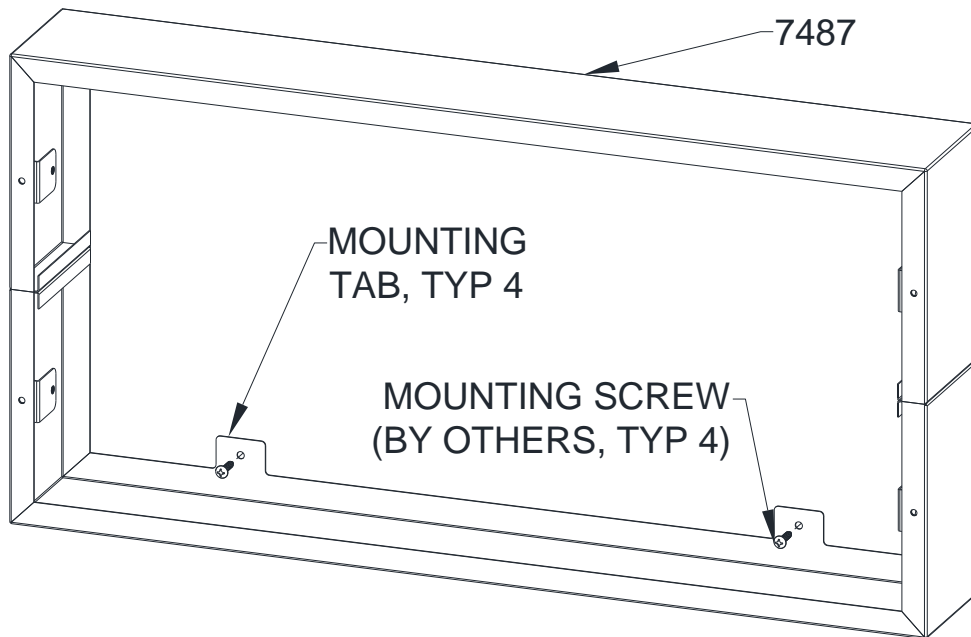
ISSUED: 15 SEP 2020

REVISED:

SURFACE MOUNTING COLLAR FOR MODEL № 0487-L/R CABINETS INSTALLATION GUIDE (Pg 1 of 3)

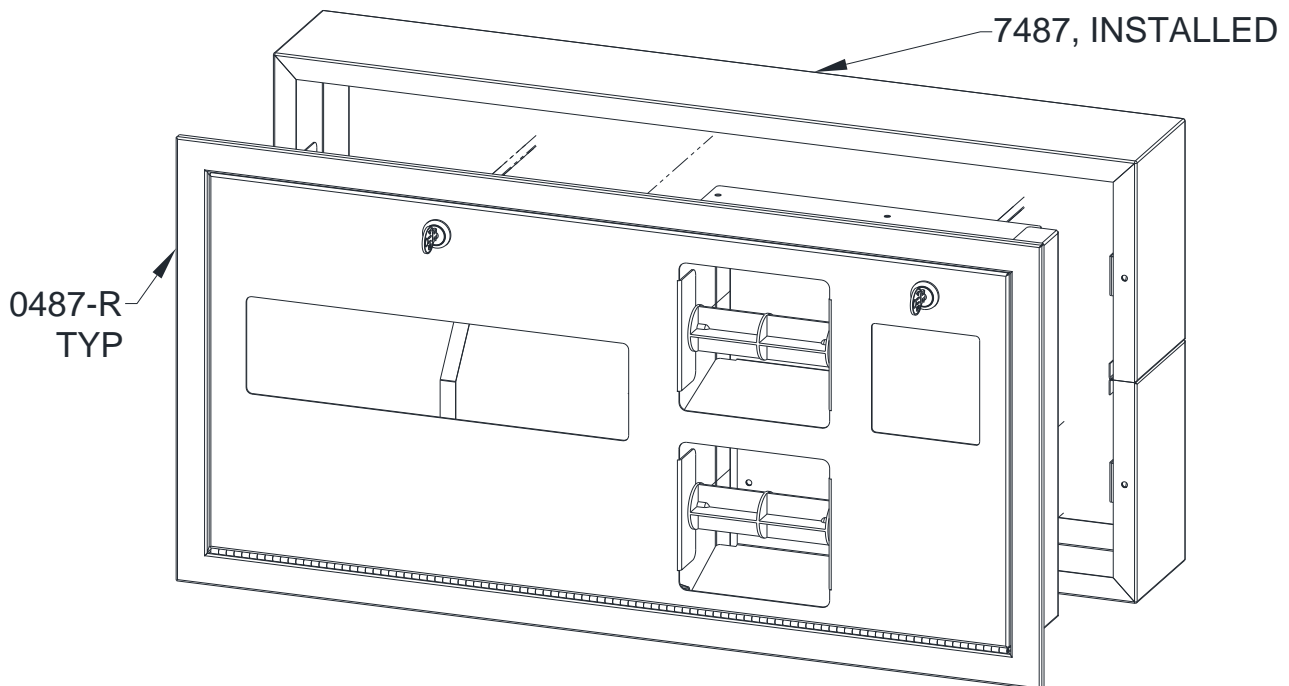
STEP 1:

1.1 Install collar onto wall using four (4) № 10 x 1-1/2" [M5 x 38] self-threading Phillips pan-head screws (by others) through holes provided in mounting tabs into appropriate anchors or blocking (by others).



STEP 2:

2.1 Slide model № 0487-L or model № 0487-R unit into surface mounted collar.





AMERICAN SPECIALTIES, INC.
441 Saw Mill River Road, Yonkers, NY 10701
(914) 476.9000 • (914) 476.0688
www.americanspecialties.com

MODEL №: 7487

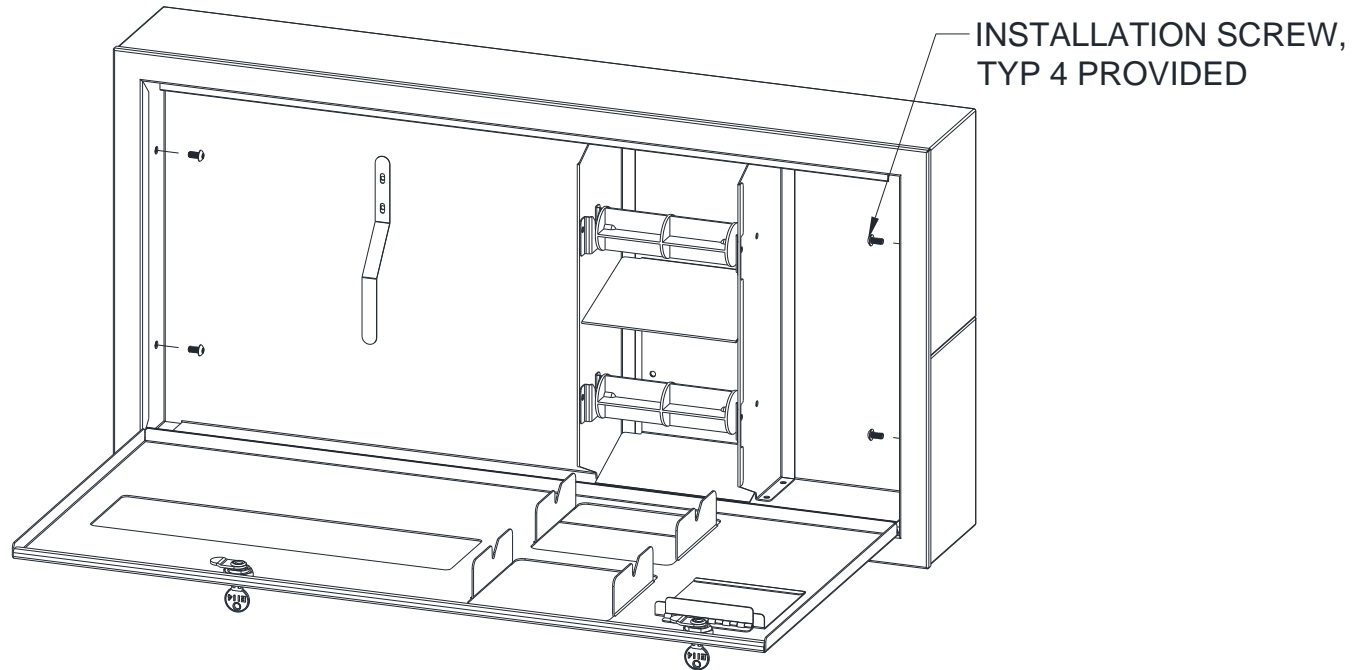
ISSUED: 15 SEP 2020

REVISED:

SURFACE MOUNTING COLLAR FOR MODEL № 0487-L/R CABINETS INSTALLATION GUIDE (Pg 2 of 3)

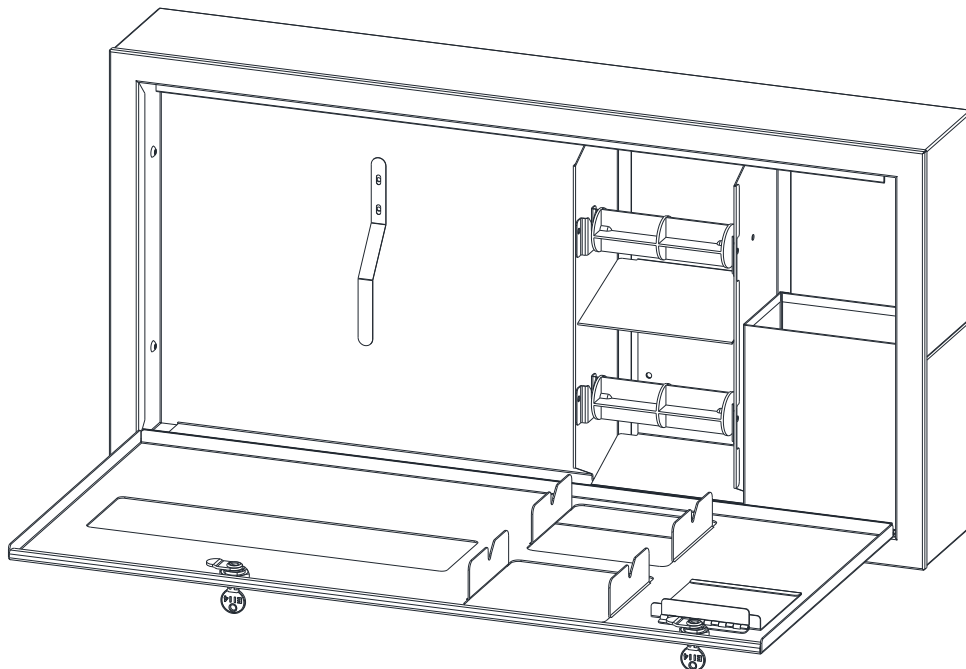
STEP 3:

- 3.1 Open the door by turning the two (2) tumbler-locks.
- 3.2 Remove and retain waste receptacle.
- 3.3 Fasten unit into collar using four (4) № 10-32 x 3/8" button head hex drive screw (supplied) through concealed mounting holes provided on inside cabinet sides into threaded tabs provided inside collar.



STEP 4:

- 4.1 Return waste receptacle into unit.





AMERICAN SPECIALTIES, INC.
441 Saw Mill River Road, Yonkers, NY 10701
(914) 476.9000 • (914) 476.0688
www.americanspecialties.com

MODEL №: 7487

ISSUED: 15 SEP 2020

REVISED:

SURFACE MOUNTING COLLAR FOR MODEL № 0487-L/R CABINETS INSTALLATION GUIDE (Pg 3 of 3)

STEP 5:

- 5.1 Lock the door. Both tumbler-locks must be locked.
- 5.2 Retain both keys for future service and maintenance.

