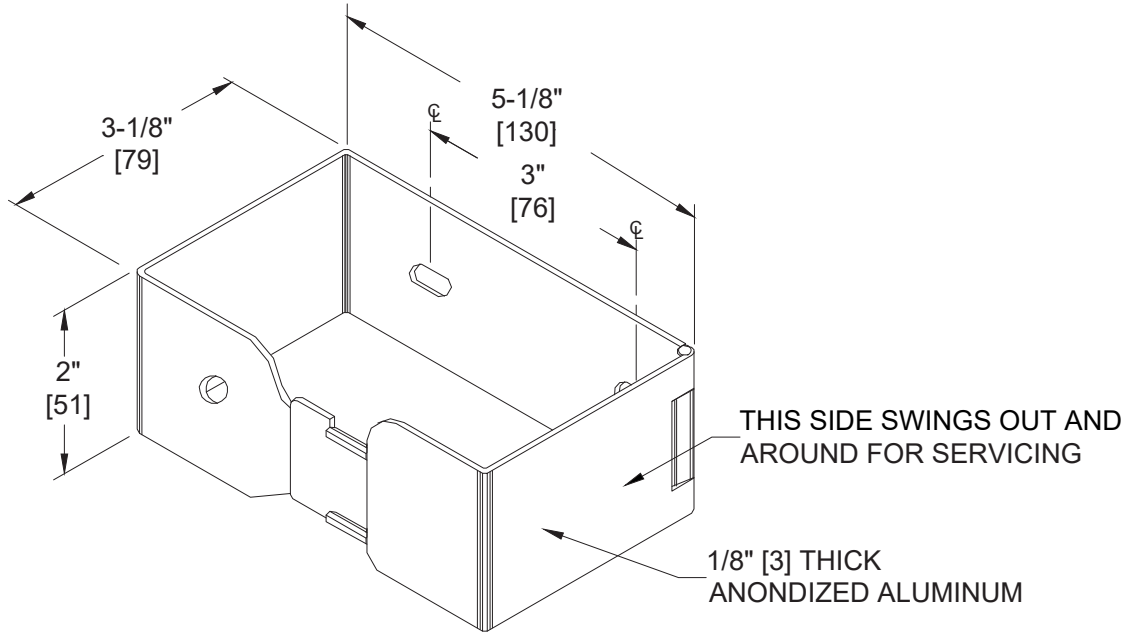


Sav-Haf Toilet Tissue Holder – Surface Mounted

Toilet Tissue Dispensers

MasterFormat Section 10 28 13



Scan for Information



SUSTAINABILITY/LEED

MR 4.1 (1) MR 6 (1) EQ 4.2 (1)
MR 4.2 (1) EQ 4.1 (1) EQ 4.4 (1)

NOTE:
ALL DIM'S INCH [MM]
ILLUSTRATION FOR REF ONLY AND NTS

PRODUCT OVERVIEW

Holds and dispenses all standard core roll tissue, up to 5" diameter [Ø127]. Unit back plate and support arms fabricated of 1/8" [3] thick clear anodized aluminum with a satin finish. Unit is replenished by removing depleted core from holder and then pulling hinged side forward, which releases the snap-lock mechanism and allows hinged arm to swing out and around for servicing. Roll cannot be removed from unit until toilet tissue is exhausted.

KEY FEATURES & SPECIFICATIONS

- Dispenses all standard core roll tissues.
- Snap-Lock mechanism and hinged arm hold roll in place.
- 1/8" [3] Thick Clear Anodized Aluminum With a Satin Finish
- Surface Mounted

OPERATION & MAINTENANCE

Unit is replenished by removing depleted core from holder and then pulling hinged side forward, which releases the snap-lock mechanism and allows hinged arm to swing out and around for servicing. Roll cannot be removed from unit until toilet tissue is exhausted.

TECHNICAL INFORMATION / PRODUCT PROPERTIES

Property	Value
Dimensions	5-1/8" [130] W x 2" [51] H x 3-1/8" [79] D
Construction	1/8" [3] Thick Clear Anodized Aluminum With a Satin Finish
Mounting	Surface Mounted
Capacity	Holds one (1) roll of standard core roll toilet paper up to 5" Dia. [Ø127]

INSTALLATION

Unit is surfaced mounted to wall or partition using #10 self-threading screws (supplied) through two (2) slots in back plate. For compliance with 2010 ADA Accessibility Standards, unit should be installed with roller centerline between 44" [1118] maximum above finished floor (AFF) and 19" [483] minimum AFF and leading edge of roll no further than 36" [914] from back wall behind commode.

OPTIONS
WARRANTY

One (1) Year from date of Invoice