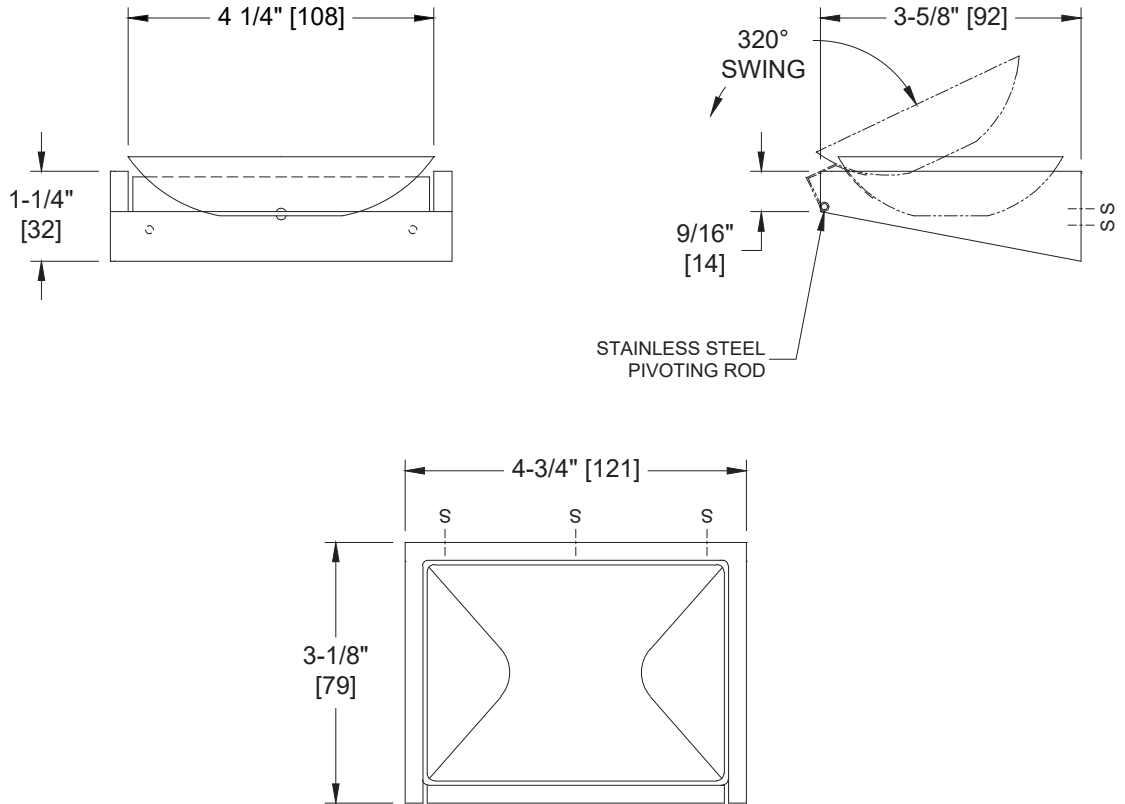
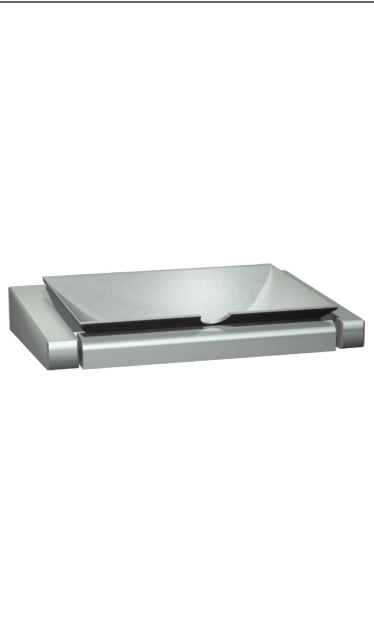


Ash Tray (Flip-type) – Surface Mounted

Specialty Accessories

MasterFormat Section 10 28 13



SUSTAINABILITY/LEED

MR 4.1 (1) MR 6 (1) EQ 4.2 (1)
MR 4.2 (1) EQ 4.1 (1) EQ 4.4 (1)

NOTE:
ALL DIM'S INCH [MM]
ILLUSTRATION FOR REF ONLY AND NTS

PRODUCT OVERVIEW

Surface mounted unit has a stainless steel pivoting rod which permits top to pivot approximately 320° for disposing of waste. Type 304 stainless steel with satin finish.

KEY FEATURES & SPECIFICATIONS

- Type 304 Stainless Steel - Satin Finish
- Surface Mounted

OPERATION & MAINTENANCE

Flip-Top Ashtray pivot rod permits 320o rotation, allowing for manual disposal of waste and service cleaning on a cycle determined by maintenance needs.

TECHNICAL INFORMATION / PRODUCT PROPERTIES

Property	Value
Dimensions	4-3/4" [120] W x 3-5/8" [90] H x 1-1/4" [32] D
Construction	Type 304 Stainless Steel - Satin Finish
Mounting	Surface Mounted
Capacity	

INSTALLATION

Unit is surfaced mounted to wall or partition using #10 self-threading screws (by others) through three (3) mounting holes (provided). For compliance with 2010 ADA Accessibility Standards, unit should be installed with ashtray top 54" [1372] maximum Above Finished Floor (AFF) if clear floor side reach access is provided or 48" [1219] maximum Above Finished Floor (AFF) if clear floor forward reach access is provided or 46" [1168] maximum AFF if side reach over an obstruction (i.e. vanity) is only provided. For general utility unit should be installed so that ashtray top is 32" to 45" [813 to 1143] AFF.

ADDITIONAL INFORMATION

N/A

WARRANTY

One (1) Year from date of Invoice