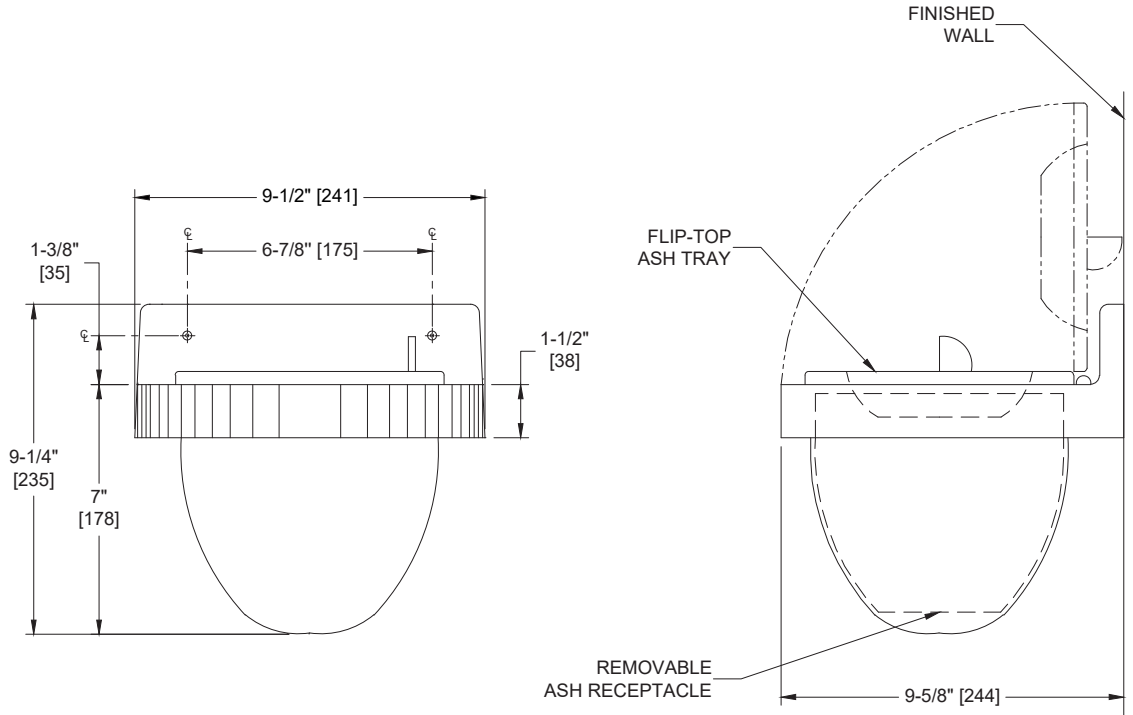


Ash Urn – Surface Mounted

Specialty Accessories

MasterFormat Section 10 28 13



Scan for Information



SUSTAINABILITY/LEED

MR 4.1 (1) MR 6 (1) EQ 4.2 (1)
MR 4.2 (1) EQ 4.1 (1) EQ 4.4 (1)

NOTE:
ALL DIM'S INCH [MM]
ILLUSTRATION FOR REF ONLY AND NTS

PRODUCT OVERVIEW

Stainless steel circular style wall ashtray for use in lobbies and corridors. Flip top ashtray 22 gauge stainless steel with satin finish hinges to urn for vandal resistant installation. Heavy duty aluminum mounting bracket and receptacle. Entire unit has satin finish. Ashes are dumped from ashtray into waste container inside urn by activating trigger on ash-trough. Flip top ashtray is removable for service cleaning.

KEY FEATURES & SPECIFICATIONS

- Type 304 Stainless Steel - Satin Finish
- Surface Mounted

OPERATION & MAINTENANCE

Ashes are dumped from ashtray into waste container inside urn by activating trigger on ash-trough. Waste container is emptied manually on cycle determined by maintenance needs. Flip top ashtray is removable for service cleaning.

TECHNICAL INFORMATION / PRODUCT PROPERTIES

Property	Value
Dimensions	9-1/2" [240] W x 9-1/4" [235] H x 9-5/8" [245] D
Construction	Type 304 Stainless Steel - Satin Finish
Mounting	Surface Mounted
Capacity	

INSTALLATION

Mounting bracket is secured to wall with #10 screws (supplied). Urn assembly is placed into supporting bracket. For compliance with 2010 ADA Accessibility Standards, unit should be installed with ashtray top 54" [1372] maximum Above Finished Floor (AFF) if clear floor side reach access is provided or 48" [1219] maximum AFF if clear floor forward reach access is only provided. For general utility unit should be installed so that ashtray top is 32" to 45" [813 to 1143] AFF.

ADDITIONAL INFORMATION

N/A

WARRANTY

One (1) Year from date of Invoice