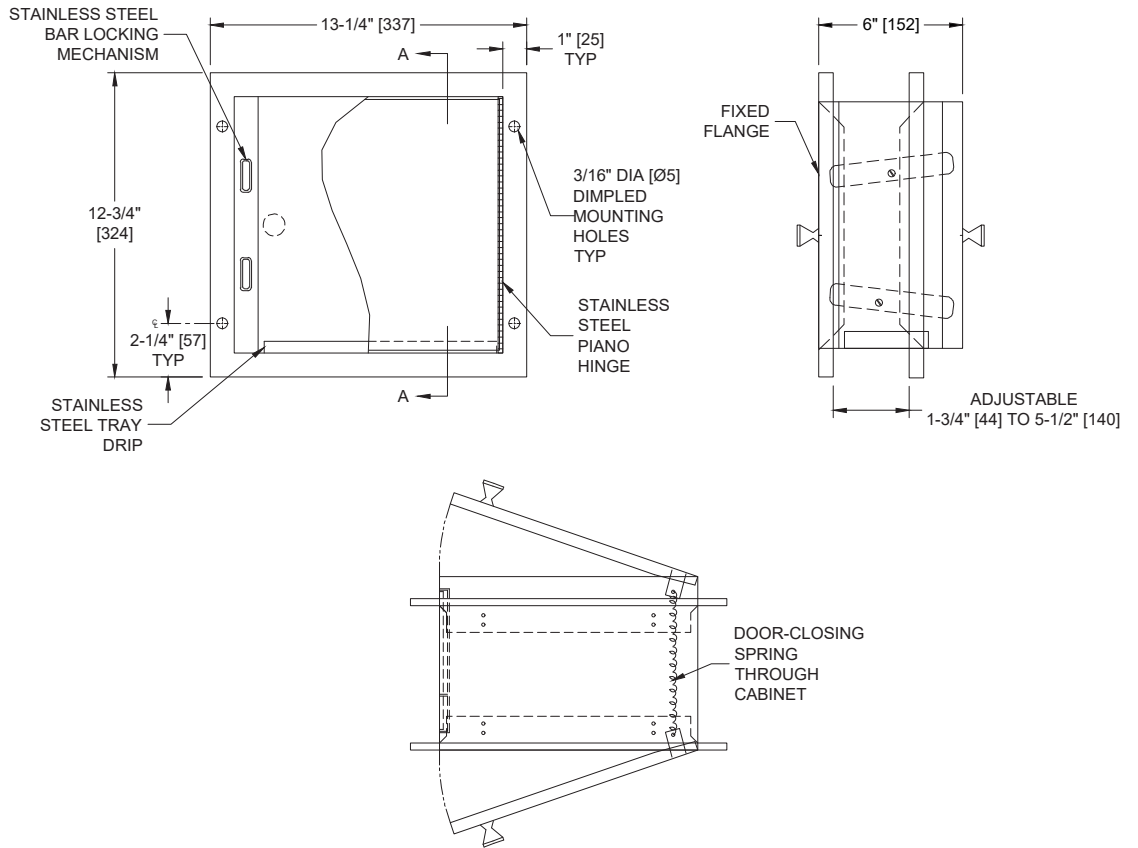
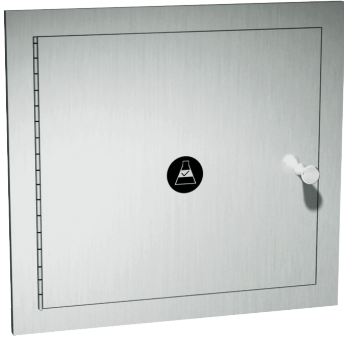


**Specimen Pass Box – Recessed**

Healthcare Accessories

MasterFormat Section 10 28 13



Scan for Information



**SUSTAINABILITY/LEED**

MR 4.1 (1) MR 6 (1) EQ 4.2 (1)  
MR 4.2 (1) EQ 4.1 (1) EQ 4.4 (1)

**NOTE:**  
ALL DIM'S INCH [MM]  
ILLUSTRATION FOR REF ONLY AND NTS

**PRODUCT OVERVIEW**

Provides a convenient passage from patient area into laboratory. Specimens are deposited through one side of unit and are retrievable on other side when first door is returned to closed position. Stainless steel drip tray is removable for cleaning. Internal latch prevents simultaneous door opening.

**KEY FEATURES & SPECIFICATIONS**

- Specimen Pass Box
- 20 gauge Type 304 Stainless Steel, Alloy 18-8 - Satin Finish
- Stainless
- Cabinet has two (2) rubber door silencers.
- Recessed

**OPERATION & MAINTENANCE**

Specimens are deposited through one side of unit and are retrievable on other side when first door is returned to closed position. Drip tray is removable for cleaning.

**TECHNICAL INFORMATION / PRODUCT PROPERTIES**

Property	Value
Dimensions	13-1/4" [337] W x 12-3/4" [324] H x 6" [152] D
Construction	Type 304 Stainless Steel - Satin Finish
Mounting	Recessed
Capacity	N/A

**INSTALLATION**

Unit can be mounted in walls ranging in depth from 1-3/4" [44] to 5-1/2" [140]. Fixed flange is secured first through (4) mounting holes which accommodate #10 self-threading screws (supplied). Adjustable flange is then secured to opposite side of partition in same manner. For compliance with 2010 ADA Accessibility Standards, unit should be installed with centerline of doors 54" [1372] maximum Above Finished Floor (AFF) if clear floor side reach access is provided or 48" [1219] maximum Above Finished Floor (AFF). For general utility install unit with centerline of doors 54" [1372] AFF.

Rough Wall Opening (RWO) required is 11-1/2" [292] W x 11" H [279] x 1-3/4" [44] to 5-1/2" [140] D

**WARRANTY**

One (1) Year from date of Invoice