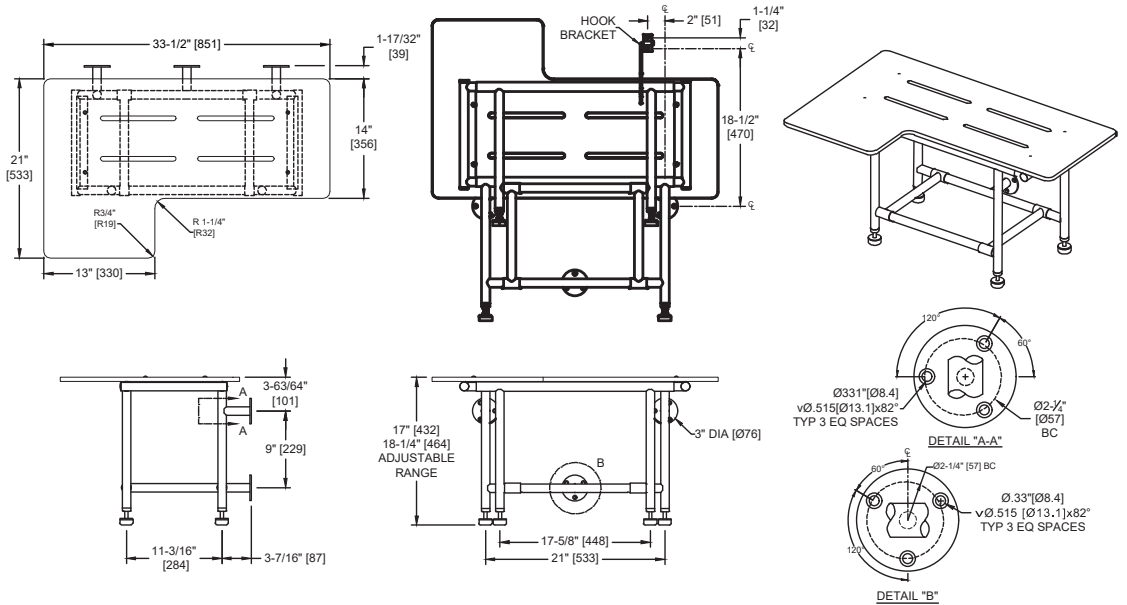


Folding Shower Seat, Solid Phenolic – L-Shape, Four Leg

Shower/Tub Accessories

MasterFormat Section 10 28 13



Scan for Information



SUSTAINABILITY/LEED

MR 4.1 (1) MR 6 (1) EQ 4.2 (1)
MR 4.2 (1) EQ 4.1 (1) EQ 4.4 (1)

NOTE:
ALL DIM'S INCH [MM]
ILLUSTRATION FOR REF ONLY AND NTS

PRODUCT OVERVIEW

Seat is 1/2" [13] thick solid phenolic, with white top and bottom surfaces and black edges, and is field reversible for left or right hand. Rear load feet remain on floor with rear frame mounted to wall and never need adjustment after correct installation. Front legs fold up automatically when seat is raised. Height is adjustable. Gravity prevents seat from dropping. Shower seat exceeds 2010 ADA Accessibility Standards when mounted properly.

KEY FEATURES & SPECIFICATIONS

- L-Shaped - with 4 Legs - Adjustable Height- ADA Compliant
- Slotted Seat (for drainage) folds up when not in use - Requires only one hand operation to manually lower to horizontal position for use or raise for departure and arrival.
- Seat - White Phenolic / Body - Type 304 Stainless Steel
- Support load of 1000 lbs to 1250 lbs maximum if installed properly
- Surface Mounted
- Seat is Slotted for Drainage
- 33" [838] Wide

OPERATION & MAINTENANCE

ASI Shower Seats are designed to meet and exceed 2010 Accessibility Standards as published in ICC/ANSI A117.1-2003 section 610 and CFR 28 Part 36, Federal Register Vol. 56 No 144, 26 July 1991, section 4.21.3 and section 4.26.3, that fabricated product shall be of adequate strength to support a load of 250 pounds (113.4 kg) and unit shall conform to size and edge clearances as diagrammed. Mounting to the wall is a critical part of the system to meet this requirement. To withstand the shear, tension or pullout and torsion loads generated by the maximum loading, the fastener system must be adequately sized.

TECHNICAL INFORMATION / PRODUCT PROPERTIES

Property	Value
Dimensions	33-1/2" [851] W x 17 [432] to 18-1/4" [464] H x 21" [533] D
Construction	Seat - White Phenolic / Body - Type 304 Stainless Steel Seat is Slotted for Drainage
Mounting	Surface Mounted
Materials	<p>Tubes: 14 gauge (.075" <1.9> thick) 1" Dia. [Ø25] and 16 gauge (.06" <1.5> thick) & 20,gauge (.04" <1.0> thick) 1-1/8" Dia. [Ø29], all type 304 stainless steel. Unitized all,welded construction. Exposed surfaces have satin finish. Edges and corners are radiused,and burr free. Frame is field reversible for either left or right hand.</p> <p>Flanges: 3/16" (4.8), type 304 stainless steel. Exposed surfaces have satin finish. Edges are radiused,and burr free.</p> <p>Brackets: 12 gauge (.106" <2.7> thick), type 304 stainless steel. Exposed surfaces have satin finish.,Edges are radiused and burr free.</p> <p>Seat: Solid Phenolic (L-shape) 1/2" [13] x 33-1/2" [851] x 21" [533] nonporous seat has,white top and bottom surfaces with semi-gloss finish and black edges with radiused and,burr free corners. Seat shall be field reversible for left or right hand. Seat shall have slots,for water drainage and user slip resistance. Mounting hardware is smooth stainless steel,dome head carriage bolts with acorn nuts on bottom.</p> <p>Retainer:1/4" Dia. [Ø6,4] rod, 3/16" [4,8] thick mounting plate, 1/2" Dia. [Ø13] pivot all,type 304 stainless steel. Exposed surfaces have satin finish. Edges are radiused and burr free.</p>

INSTALLATION

This unit is surface mounted. Installer/construction contractor must provide concealed anchor plate or blocking as specified in construction documents or as required by local building codes prior to wall finishing. Fasten unit flanges and retaining hook bracket to concealed anchors or blocking plates with appropriate hardware (by others). See "STRENGTH" section below. Note that concealed mounting plates or anchors and hardware are not supplied with this product and must be specified separately. Ensure that mounting configuration complies with local building codes. Adjust leveling feet to provide even load transfer to floor and lock with nuts (provided) to maintain position. Unit is reversible in the field for right or left hand installation.

CAPACITY

WARRANTY

One (1) Year from date of Invoice