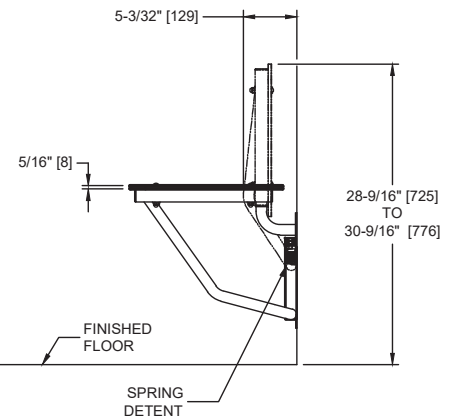
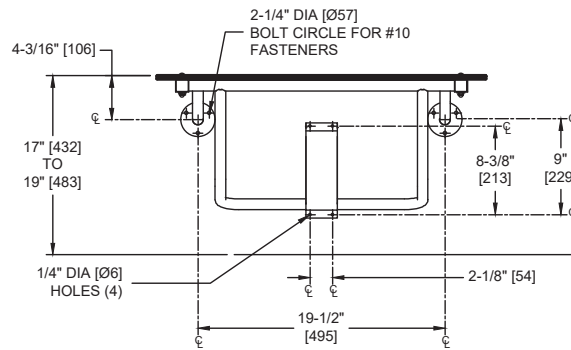
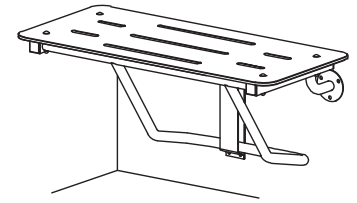
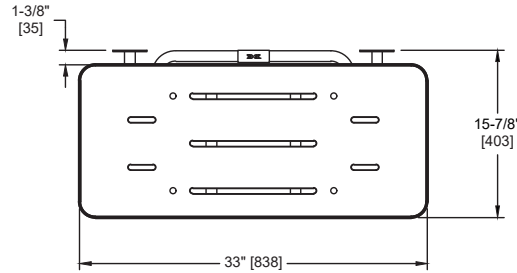


Folding Shower Seat, Rectangular Solid Phenolic seat – 33" [838] wide, White, ADA

Shower/Tub Accessories

MasterFormat Section 10 28 13



Scan for Information



SUSTAINABILITY/LEED

MR 4.1 (1) MR 6 (1) EQ 4.2 (1)
MR 4.2 (1) EQ 4.1 (1) EQ 4.4 (1)

NOTE:
ALL DIM'S INCH [MM]
ILLUSTRATION FOR REF ONLY AND NTS

PRODUCT OVERVIEW

Seat is 5/16" [8] thick, one piece, solid phenolic, semi-gloss laminate white colored top and bottom and shall have black edges. Frame, support legs, flanges and bracket are type 304 satin finished stainless steel. Guide bracket shall control seat lowering into operating position. Seat measures 33" [838] wide and projects 14-1/2" [368] from wall.

KEY FEATURES & SPECIFICATIONS

- Rectangular - 33" [838] Wide - ADA Compliant
- Slotted Seat (for drainage) folds up when not in use - Requires only one hand operation to manually lower to horizontal position for use or raise for departure and arrival.
- Seat - White Phenolic / Body - Type 304 Stainless Steel
- Support load of 250 lbs to 500 lbs maximum if installed properly
- Surface Mounted
- Seat is Slotted for Drainage
- 33" [838] Wide

OPERATION & MAINTENANCE

Fold-up Shower Seat requires only one hand operation to manually lower to horizontal position for use or raise for departure and arrival. Guide bracket with spring detent prevents seat from dropping and provides positive support in usage position as well as spring locked storage position.

TECHNICAL INFORMATION / PRODUCT PROPERTIES

Property	Value
Dimensions	33" [838] W x 13-3/16" [331] H x 15-7/8" [403] D
Construction	Seat - White Phenolic / Body - Type 304 Stainless Steel Seat is Slotted for Drainage
Mounting	Surface Mounted
Materials	<p><u> Tubes:</u> 18 gauge (.048" [1,2] thick) type 304 stainless steel, 1" Dia. [Ø25] and 1-1/4" [32] square. Unitized all welded construction. Exposed surfaces are satin finish. Edges and corners are radiused and burr free.</p> <p><u> Flanges:</u> 3/16" [4,8] type 304 stainless steel. Exposed surfaces have satin finish. Edges and corners are radiused and burr free.</p> <p><u> Brackets:</u> 16 gauge (.06" [1,52] thick) type 304 stainless steel. Exposed surfaces are satin finish. Edges and corners are radiused and burr free.</p> <p><u> Seat:</u> Solid Phenolic 5/16" [8] x 20" [508] x 14-1/2" [368]. Exposed surfaces have semi-gloss laminate white colored top and bottom surfaces and shall have black edges. Corners are radiused and burr free. Seat top shall have three (3) slots 1/2" [13] wide x 12" [305] long for water drainage and user slip resistance. Mounting hardware is stainless steel dome head carriage bolts with acorn nuts on bottom.</p> <p><u> Spring:</u>Stainless steel wire type 304 OD 27/32" [Ø21,6] coils x 2-1/4" [57,2] body length x .085" Dia. [Ø2,2] wire.</p>

INSTALLATION

This unit is surface mounted. Installer/construction contractor must provide concealed anchor plate or blocking as specified in construction documents or as required by local building codes prior to wall finishing. Fasten unit flanges and guide bracket to concealed anchor or blocking plate with appropriate hardware. Note that concealed mounting plates or anchors and hardware are not supplied with this product and must be specified separately. Ensure that mounting configuration complies with local building codes.

CAPACITY
WARRANTY

One (1) Year from date of Invoice