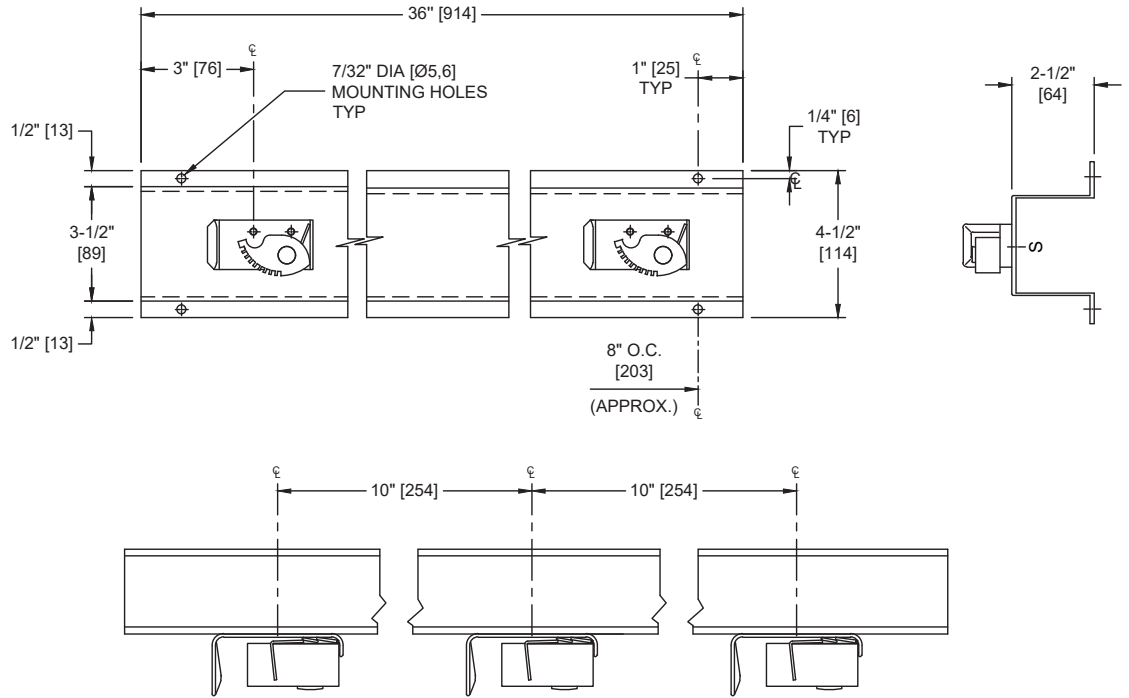


**Mop Rack - (4 Holders) 36" – Surface Mounted**

Custodial Accessories

MasterFormat Section 10 28 13



Scan for Information



**SUSTAINABILITY/LEED**

MR 4.1 (1) MR 6 (1) EQ 4.2 (1)  
MR 4.2 (1) EQ 4.1 (1) EQ 4.4 (1)

**NOTE:**  
ALL DIM'S INCH [MM]  
ILLUSTRATION FOR REF ONLY AND NTS

**PRODUCT OVERVIEW**

Formed channel fabricated of 20 gauge, type 304 stainless steel satin finish. Projects 3-1/2" [90] from wall. Rubber cam holders ribbed for grasping. 4 holders, 36" [914] long.

**KEY FEATURES & SPECIFICATIONS**

- 4 Holders
- Pivoting spring loaded holders have serrated rubber cams for grasping.
- Type 304 Stainless Steel - Satin Finish
- Surface Mounted
- 36" [914] Length

***OPERATION & MAINTENANCE***

Mop or broom handle is pushed into grip-jaw of pivoting serrated rubber cam with upward motion until it seats behind rib on clamp plate. Spring holds cam against handler. Gravity holds mop clamped in position.

***TECHNICAL INFORMATION / PRODUCT PROPERTIES***

<b>Property</b>	<b>Value</b>
Dimensions	36" [914] W x 4-1/2" [114] H x 2-1/2" [64] D
Construction	Type 304 Stainless Steel - Satin Finish
Mounting	Surface Mounted
Capacity	4 Holders

***INSTALLATION***

For general utility mount rack 70" [1778] Above Finished Floor (AFF) from bottom of rack with #10 self-threading pan head screws (by others) through holes provided. For compliance with 2010 ADA Accessibility Standards install unit so that top of hook is 48" [1219] maximum AFF.

***WARRANTY***

One (1) Year from date of Invoice