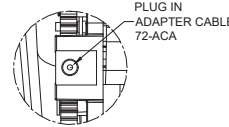
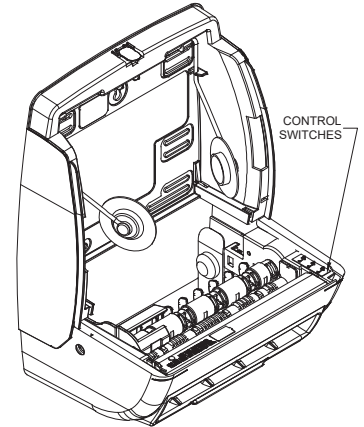
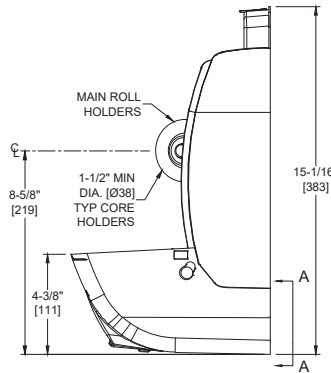
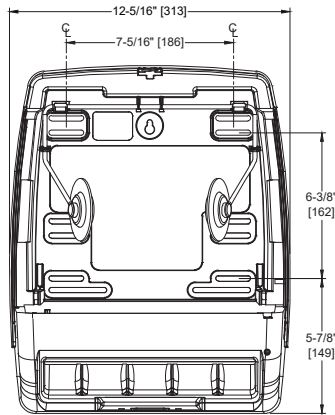


Automatic Roll Towel Dispenser Mechanism

Paper Towel Dispensers

Traditional

MasterFormat Section 10 28 13



Scan for Information



SUSTAINABILITY/LEED

MR 4.1 (1) MR 6 (1) EQ 4.2 (1)
MR 4.2 (1) EQ 4.1 (1) EQ 4.4 (1)

NOTE:
ALL DIM'S INCH [MM]
ILLUSTRATION FOR REF ONLY AND NTS
FOR CLEANING INSTRUCTIONS SEE APPROPRIATE SECTIONS IN
PRODUCT CARE & MAINTENANCE BULLETIN (PCM) ON ASI WEBSITE

PRODUCT OVERVIEW

Automatic Roll Towel Dispenser Mechanism shall dispense one 8" [Ø203] diameter x 8" wide [203] standard towel roll up to 800 ft. (244m) long and one 8" wide [203] stub roll up to 4" diameter [Ø102]. Automatic Touchless Roll Towel Dispenser shall be powered by four (4) D-size batteries (not supplied) or by C-UL-US and CE approved internal low-voltage adapter (supplied separately, Part# 72-ACA) using 110-240VAC, 50/60 Hz and providing output of 6VDC @ 2A and shall operate automatically to activate towel dispensing when hands are placed in sensor zone. At each activation, unit shall feed out a length of towel selected by owner by setting length, delay and paper saver switches. Unit shall have an internal towel cut-off bar.

KEY FEATURES & SPECIFICATIONS

- Automatic Dispenser MECHANISM ONLY
- Automatic - Battery or AC - 110-240V (AC Adapted supplied separately)
- Roll Towels - up to 800 ft. Length

OPERATION & MAINTENANCE

Towels are dispensed one length at a time automatically when hands are placed in sensor zone until supply is depleted. Owner predetermines length of towel dispensed by making selections on three (3) three-position switches for length, delay, and economy. Unit may be reloaded with a full roll to automatically start when finished with an existing partial roll and will continue to feed properly when reloaded with a full roll and partial roll is transferred to stub roll position. Refill dispenser by unlocking door of cabinet, removing empty core, and replacing towel roll for an empty or partially empty unit. Dispenser supply is replenished and batteries are replaced manually on cycles determined by maintenance needs. LED indicates sensing and battery condition. Locking cabinet door prevents unauthorized access and roll removal.

TECHNICAL INFORMATION / PRODUCT PROPERTIES

Property	Value
Dimensions	12-5/16" [313] W x 15-1/16" [383] H x 8-11/16" [221] D
Construction	Type 304 Stainless Steel - Satin Finish
Power	N/A
Operation	Manual - Pull Type
Mounting	Surface Mounted
Capacity	Roll Towels - up to 800 ft. Length

INSTALLATION

Assemble unit onto cabinet back using 1/4"-20x3/8" Philips pan head screws supplied in cabinet through mechanism mounting slots into threaded mechanism mounting holes provided. For compliance with 2010 ADA Accessibility Standards, install cabinet so that towel dispenser slot is 48" [1219] maximum above finished floor (AFF). Be advised that local codes may require mounting so that top of towel dispenser opening is 40" [1016] maximum AFF (e.g. California UBC/Title 24). For general utility, install cabinet with top of towel dispenser opening between 49" [1245] and 56" [1422] AFF.

WARRANTY

One (1) Year from date of Invoice