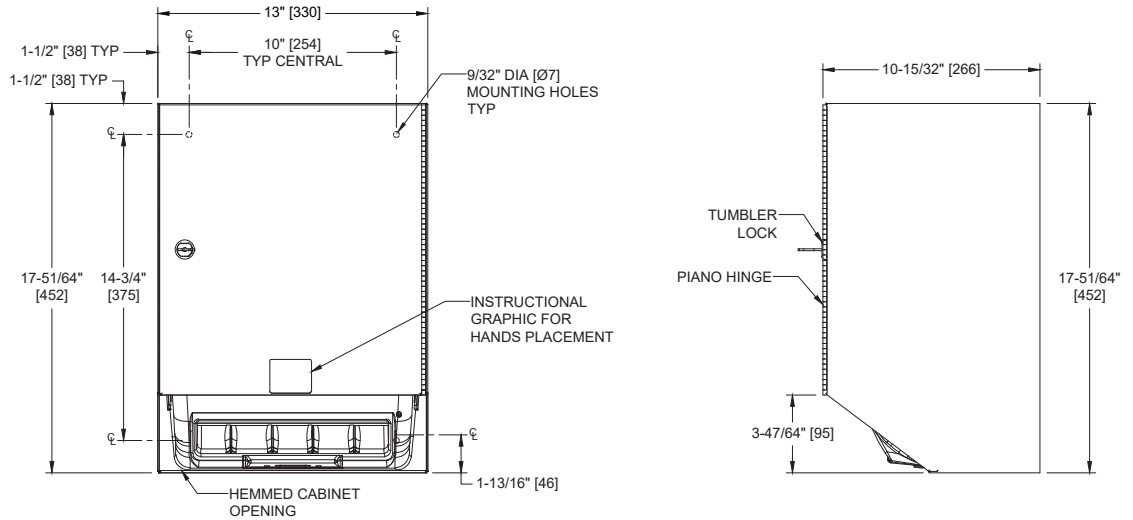


Automatic Roll Paper Towel Dispenser, Battery Operated – Surface Mounted

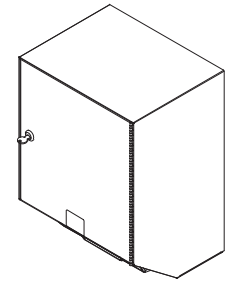
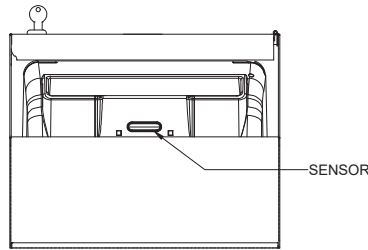
Paper Towel Dispensers

Traditional

MasterFormat Section 10 28 13



Scan for Information



SUSTAINABILITY/LEED

MR 4.1 (1) MR 6 (1) EQ 4.2 (1)
MR 4.2 (1) EQ 4.1 (1) EQ 4.4 (1)

NOTE:
ALL DIM'S INCH [MM]
ILLUSTRATION FOR REF ONLY AND NTS
FOR CLEANING INSTRUCTIONS SEE APPROPRIATE SECTIONS IN
PRODUCT CARE & MAINTENANCE BULLETIN (PCM) ON ASI WEBSITE

PRODUCT OVERVIEW

Proximity sensing no-touch unit dispenses a pre-set length per cycle from 8" [203] or 9" [229] wide standard towel roll up to 800 ft. (244m) long and has stub roll capability for continuous dispensing. Powered by 4 D-size batteries (not included).

KEY FEATURES & SPECIFICATIONS

- "Touch Free" dispensing for better hygiene
- Owner controlled adjustable paper feed length
- Type 304 Stainless Steel - Satin Finish
- Surface Mounted
- Automatic - Battery Operated - "No Touch"
- Roll Towels - up to 800 ft. Length

OPERATION & MAINTENANCE

Towels are dispensed one length at a time automatically when hands are placed in sensor zone until supply is depleted. Owner predetermines length of towel dispensed by making selections on three (3) three-position switches for length, delay, and economy. Unit may be reloaded with a full roll to automatically start when finished with an existing partial roll and will continue to feed properly when reloaded with a full roll and partial roll is transferred to stub roll position. Refill dispenser by unlocking door and replacing towel roll for an empty or partially empty unit. Dispenser supply is replenished and batteries are replaced manually on cycles determined by maintenance needs. LED indicates sensing and battery condition. Locking door prevents unauthorized access and roll removal.

TECHNICAL INFORMATION / PRODUCT PROPERTIES

Property	Value
Dimensions	13" [330] W x 17-3/4" [451] H x 10-1/2" [267] D
Construction	Type 304 Stainless Steel - Satin Finish
Power	Batteries: Four (4) D-size
Operation	Automatic - Battery Operated - "No Touch"
Mounting	Surface Mounted
Capacity	Roll Towels - up to 800 ft. Length

INSTALLATION

Provide adequate in-wall reinforcement (by others) in drywall construction to hold mounted unit in-service after wall is finished. Provide appropriate anchors (by others) to suit wall and field conditions for installation onto walls other than new drywall. Mount unit on wall using #10 or 1/4" x 1-1/2" [M5 or M6x38] self-threading pan-head screws (by others) or other suitable fasteners (by others) through concealed mounting holes provided. Ground wire must be properly connected to grounding point in back of housing with self-threading screw (by others) sized #10 x 1/4" Philips Pan-Head with internal tooth lock washer (by others). For compliance with 2010 ADA Accessibility Standards and 2015 ABA Standards install unit so that top edge of towel dispenser opening is 48" [1219] max above finished floor (AFF) only if clear floor reach access is provided. Be advised that local codes may require mounting so that top of towel dispenser opening is 40" [1016] maximum AFF (e.g. California UBC/Title 24). For general utility install unit with top of towel dispenser opening between 49" [1245] and 56" [1422] AFF.

WARRANTY

One (1) Year from date of Invoice