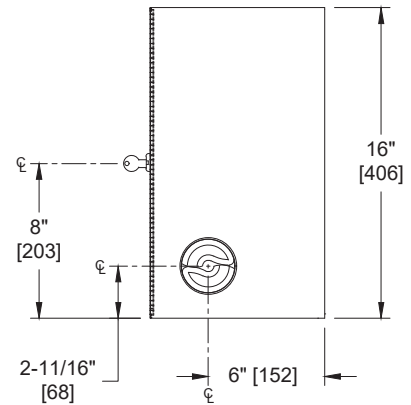
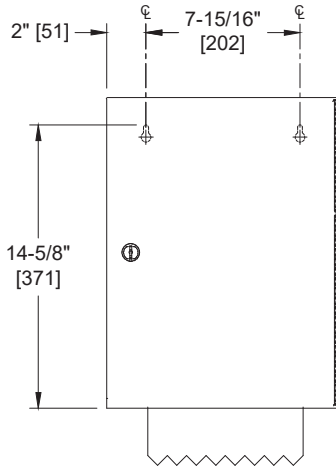
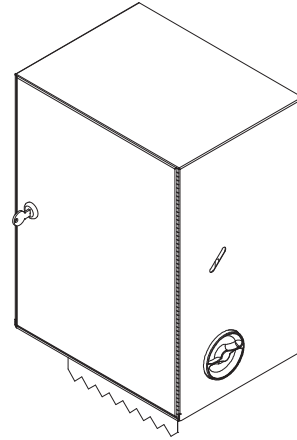
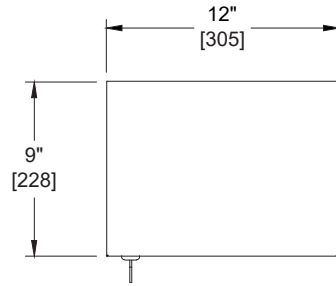


**Auto-Cut Roll paper Towel Dispenser – Surface Mounted**

Paper Towel Dispensers

Traditional

MasterFormat Section 10 28 13



**NOTE:**  
ALL DIM'S INCH [MM]  
ILLUSTRATION FOR REF ONLY AND NTS  
FOR CLEANING INSTRUCTIONS SEE APPROPRIATE SECTIONS IN  
PRODUCT CARE & MAINTENANCE BULLETIN (PCM) ON ASI WEBSITE

Scan for Information



**SUSTAINABILITY/LEED**

MR 4.1 (1) MR 6 (1) EQ 4.2 (1)  
MR 4.2 (1) EQ 4.1 (1) EQ 4.4 (1)

**PRODUCT OVERVIEW**

Holds one 8" [Ø203] diameter x 8" wide [203] standard towel roll standard towel roll up and one 3" diameter [Ø76] stub roll and dispenses single full width cut towel 12" [305] long from pull-towel auto-cut dispenser. Unit automatically changes over from depleted stub roll to start new roll without interruption. Fabricated of type 304 stainless steel and satin finish. Fitted with tumbler lock and stainless steel multi-staked piano hinge. Cabinet has hemmed edges for safety.

**KEY FEATURES & SPECIFICATIONS**

- Auto Cut Dispenser
- Side dial allows roll to be moved forward
- Type 304 Stainless Steel - Satin Finish
- Surface Mounted
- Pull Type - Auto Cut
- Roll Towels - up to 800 ft. Length / 10.5 Gal. (40.0 L) Waste Capacity

**OPERATION & MAINTENANCE**

User grasps leading edge of towel and pulls it out of unit until cycle reaches auto-cut position while supply is not depleted. Next towel is automatically presented ready for use by next user after current cut-off cycle is completed. Towels are loaded by opening cabinet door to access dispenser mechanism and by following instructions provided. Locked compartment pre-vents unauthorized access or removal.

**TECHNICAL INFORMATION / PRODUCT PROPERTIES**

Property	Value
Dimensions	12" [305] W x 16" [406] H x 9" [228] D
Construction	Type 304 Stainless Steel - Satin Finish
Power	N/A
Operation	Manual - Lever Type Dispenser
Mounting	Surface Mounted
Capacity	Roll Towels - up to 800 ft. Length / 10.5 Gal. (40.0 L) Waste Capacity

**INSTALLATION**

Install unit in wall recess using two (2) #10 self-threading screws (by others) through concealed mounting holes provided. Roll towel mechanism is furnished installed. For compliance with 2010 ADA Accessibility Standards install unit so that centerline of towel dispenser slot is 48" [1219] maximum above finished floor (AFF).

**WARRANTY**

One (1) Year from date of Invoice