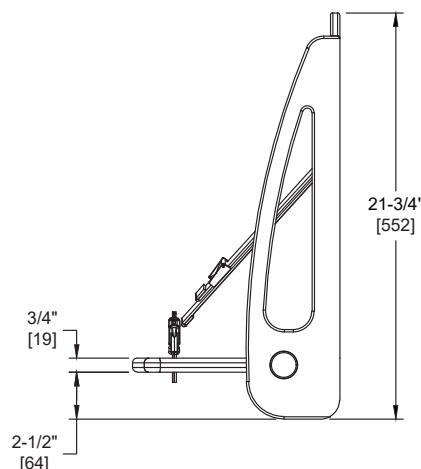
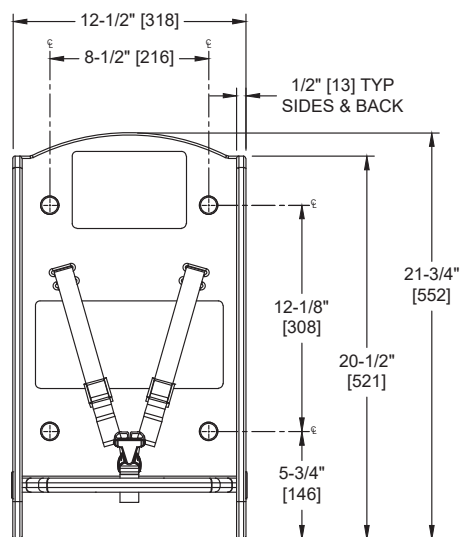
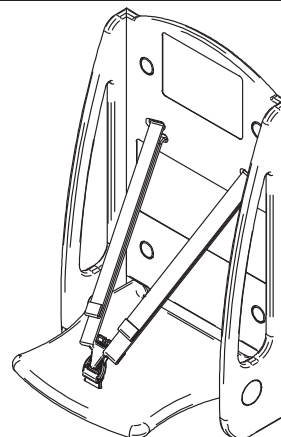
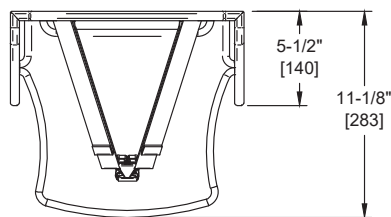


**TODDLER SAFETY SEAT – PLASTIC, SURFACE MOUNTED**

Baby Changing Stations

MasterFormat Section 10 28 13



Scan for Information



**SUSTAINABILITY/LEED**

**NOTE:**  
ALL DIM'S INCH [MM]  
ILLUSTRATION FOR REF ONLY AND NTS

**PRODUCT OVERVIEW**

This plastic seat, mounted on the inside of the toilet partition, either on the door or panel, allows a parent to take a toddler into the stall with them. Unit supports a static load of 50 lbs (23 kg). Open unit folds to 5-1/2" [140] when seat is manually lifted to close for storage, and requires less than 1.9 ft<sup>2</sup> (1765 cm<sup>2</sup>) of wall space either open or closed. High-density polyethylene is easy to clean and resists fungal and bacterial growth. Toddler Safety Seat can support static loads of 50 lbs (22.7 kg). Unit is operable with one hand with less than 5 lbs (22.2N) of force while not requiring any tight grasping, pinching, or twisting of the wrist. Safety harness is easily adjustable by user for any baby size and latch securely resists opening until released by opposing finger pressure by adult caretaker/parent. Each side shoulder strap is independently attached to the belt clasp to avail user of simple and secure engagement without having to lift a loop strap over the baby's head. User should always attend baby at all times.

**KEY FEATURES & SPECIFICATIONS**

- This ADA Compliant seat requires less than 1.9 ft<sup>2</sup> (1765 cm<sup>2</sup>) of wall space and is designed to mount inside of the toilet partition allowing a parent to take a toddler into the stall with them.
- Seat folds to 5-1/2" [140] when manually lifted to close for storage and allows for handed operation, using less than 5lbs force (22.2N) without tight grasping, pinching or twisting of the wrist.
- The entire seat is fabricated of FDA-approved fungus and bacteria-resistant HDPE.
- Surface Mounted. Supports a static load of 50 lbs. (22.7 kg)
- A three-point adjustable child protection safety belt and the shoulder harness straps help keep the child secure.

**OPERATION & MAINTENANCE**

Toddler Safety Seat is securely mounted (by others) on the wall of a dressing room or partition of a restroom stall. Open unit folds to 5-1/2" [140] when seat is manually lifted to close for storage, and requires less than 1.9 ft<sup>2</sup> (1765 cm<sup>2</sup>) of wall space either open or closed. High-density polyethylene is easy to clean and resists fungal and bacterial growth. Toddler Safety Seat can support static loads of 50 lbs (22.7 kg). Unit is operable with one hand with less than 5 lbs (22.2N) while not requiring any tight grasping, pinching, or twisting of the wrist. Safety harness is easily adjustable by user for any baby size and latch securely resists opening until released by opposing finger pressure by adult caretaker/parent. Each side shoulder strap is independently attached to the belt clasp to avail user of simple and secure engagement without having to lift a loop strap over the baby's head. User should always attend baby at all times.

**TECHNICAL INFORMATION / PRODUCT PROPERTIES**

Property	Value
Dimensions	Closed: 12-1/2" x 21-3/4" x 5-1/2" [318 x 552 x 140] Open: 12-1/2" x 21-3/4" x 11-1/8" [318 x 552 x 283]
Construction	High-Density Polyethylene (HDPE)
Mounting	Surface Mounted
Capacity	Supports a static load of 50 lbs. (22.7 kg)

**INSTALLATION**

Surface mount unit with proper anchoring on all suitable wall constructions using hardware (by others) through recessed mounting holes provided. Installation instruction sheet is provided with each unit. To ensure proper installation and compliance with building codes it is recommended that a qualified person install the unit. Wall reinforcement must be suitable to sustain transfer of maximum unit loading. Mounting hole plug covers are supplied to conceal fasteners after installation. For compliance with 2010 ADA Accessibility Standards install the unit so that the top of seat is 15" [381] maximum Above Finished Floor (AFF).

1. Remove the unit from the shipping container and check for any freight damage. Identify the location for installing the Toddler Safety Seat. Hold the unit in place and make sure there is adequate clearance for the seat to open.
2. The unit has four (4) mounting holes provided in the back. Mark the four (4) mounting holes locations on the mounting surface consistent with the position determined in step 1. Drill appropriately sized pilot and/or clearance holes for hardware to be used.
3. Install unit on mounting surface using hardware appropriate for the site conditions (provided by others).
4. Install mounting hole plug covers (supplied) to conceal fasteners after installation.

**WARRANTY**

Five (5) Years from date of invoice