

ASI MODEL 9020 TODDLER SAFETY SEAT

INSTALLATION INSTRUCTIONS



You are responsible for the proper installation and operation of this product. The manufacturers and distributors of this Toddler Safety Seat (TSS) will not be liable if installed incorrectly.

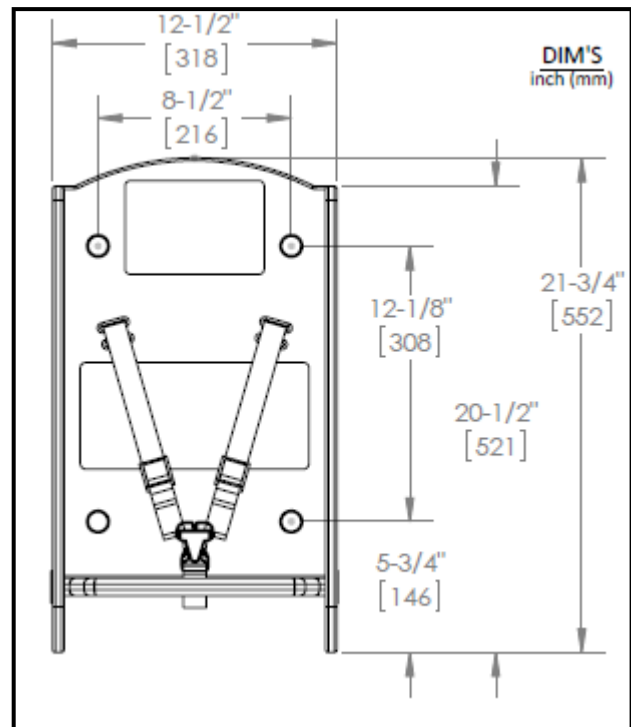
IMPORTANT: RETAIN THIS MATERIAL FOR FUTURE REFERENCE · READ CAREFULLY

INSTALLATION INSTRUCTIONS

This product is intended to be installed by a qualified person on a bathroom or fitting room partition. The TSS can also be mounted on a metal or stud side wall (hardware not included).

1. Inspect the carton for visible damage and report any product damage or tampering immediately.
2. Locate a proper area to mount the TSS. Take the door swing and clearance into consideration.
3. The unit has four mounting holes provided in the back wall which are positioned 8-1/2" (216 mm) apart horizontally and 12-1/8" (308 mm) apart vertically. Use the unit as a template to help locate the four mounting holes.
4. Hardware needed is noted below. For a restroom partition, use 1/4" (Ø6.35 mm) shoulder bolts with barrel nuts *through flat washers*. Be careful to note the thickness of the partition to determine length of the bolt and barrel nut.

NOTE: For compliance with 2010 ADA Accessibility Standards, install the unit so that the top of seat is 15" (381 mm) from the finished floor. Not intended for more than 50 lbs.



Properly installed unit:

- Opens and closes easily
- Has hole plug covers (provided)
- Holds up to 50 lbs. (22.7 kg)

HARDWARE NEEDED	TOOLS NEEDED
(Qty 4) 1/4" (Ø6.35 mm) shoulder bolt with barrel nuts	Measuring Tape Torx head screwdriver
(Qty 4) Washers	Gloves 1/4" (Ø6.35 mm) Drill Bit
	Level