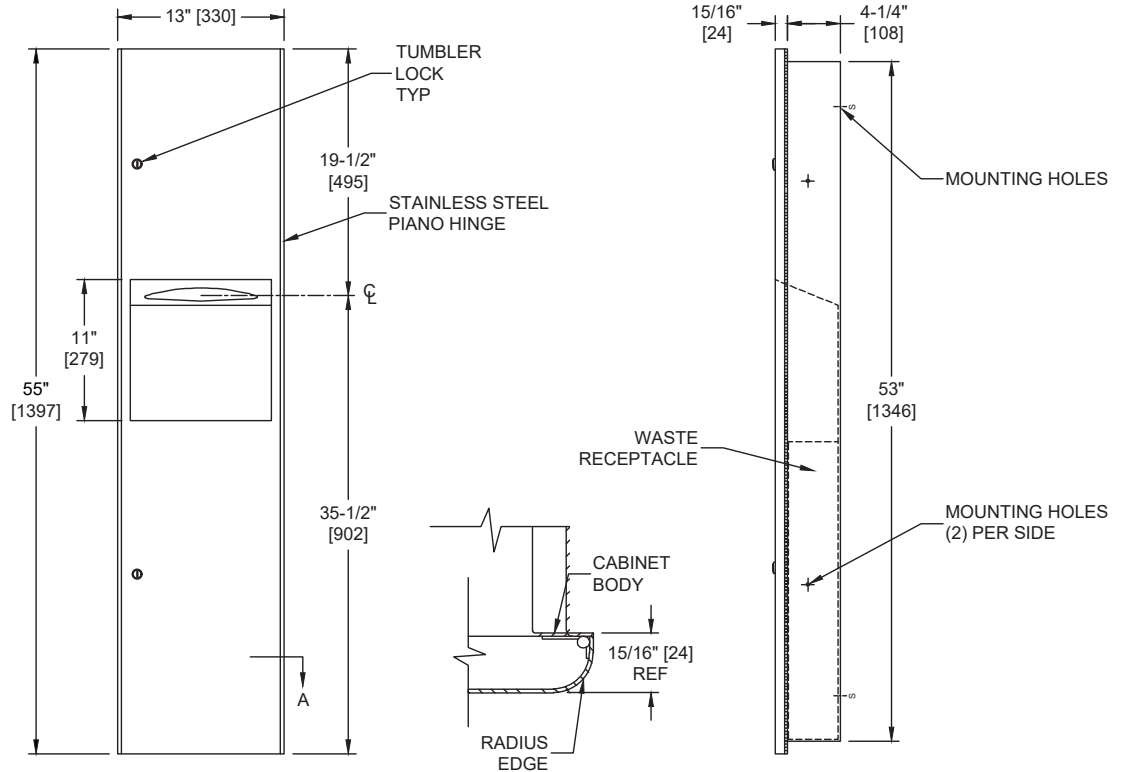


Profile Collection Paper Towel Dispenser (800 Multi - 600 C-Fold) and Waste Receptacle (4.5 gal.) – Recessed

Paper Towel Combination Units

Profile

MasterFormat Section 10 28 13



SUSTAINABILITY/LEED

MR 4.1 (1) EQ 4.1 (1)
MR 4.2 (1) EQ 4.2 (1)
MR 6 (1) EQ 4.4 (1)

NOTE:
ALL DIM'S INCH [MM]
ILLUSTRATION FOR REF ONLY AND NTS
FOR CLEANING INSTRUCTIONS SEE APPROPRIATE SECTIONS IN
PRODUCT CARE & MAINTENANCE BULLETIN (PCM) ON ASI WEBSITE

PRODUCT OVERVIEW

Dispenses 600 C-fold or 800 multi-fold paper towels. 4.5 gal. (17 L) stainless steel waste receptacle. Paper towels are manually withdrawn through dispensing slot until towels are depleted. Unit will continue to feed properly when reloaded with a partial load in place. Refill dispenser by unlocking door and replacing towels for an empty or partially empty unit. Locking full-face door over compartments prevents unauthorized access or removal. Two (2) flush rimless tumbler locks

KEY FEATURES & SPECIFICATIONS

- Robust 16 gauge Stainless Steel door
- Curved (radius) vertical door and waste receptacle edges add elegance
- Type 304 Stainless Steel - Satin Finish
- 16 gauge full-face door
- Recessed
- 20 gauge Cabinet & dispenser
- 600 C-Fold or 800 Multi-Fold / 4.5 Gal. (17.0 L) Waste Capacity

OPERATION & MAINTENANCE

Paper towels are manually withdrawn through dispensing slot until towels are depleted. Unit will continue to feed properly when reloaded with a partial load in place. Refill dispenser by unlocking door and replacing towels for an empty or partially empty unit. Dispenser supply is replenished and waste container is emptied manually on cycles determined by maintenance needs. Locking full-face door over compartments prevents unauthorized access or removal.

TECHNICAL INFORMATION / PRODUCT PROPERTIES

Property	Value
Dimensions	13" [330] W x 55" [1397] H x 5-3/16" [132] D
Construction	Type 304 Stainless Steel - Satin Finish
Mounting	Recessed
Capacity	600 C-Fold or 800 Multi-Fold / 4.5 Gal. (17.0 L) Waste Capacity

INSTALLATION

Mount unit in wall recess with #10 self-threading screws (by others) through concealed mounting holes provided. For compliance with ICC/ANSI A-117.1-2003 and 2010 ADA Accessibility Standards install unit with centerline of towel dispenser slot 48" [1219] maximum Above Finish Floor (AFF) only if clear floor forward reach or side reach access is provided. Be advised that local codes may require mounting centerline of towel dispenser slot 40" [1016] max AFF (e.g. California UBC/Title 24). Note that top of Rough Wall Opening (RWO) is 3/4" [19] below top of unit. For general utility install unit with centerline of towel dispenser slot between 49" [1245] and 56" [1422] AFF.

Rough Wall Opening (RWO) required is 11-1/2" [292] W x 53-1/2" [1359] H x 4-1/4" [108] D minimum

WARRANTY

One (1) Year from date of Invoice