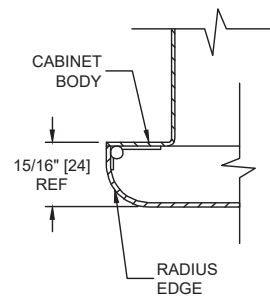
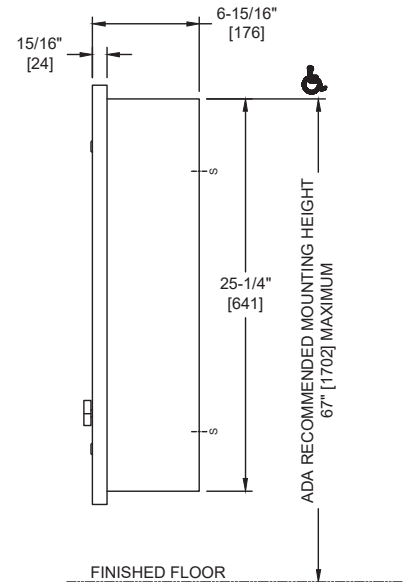
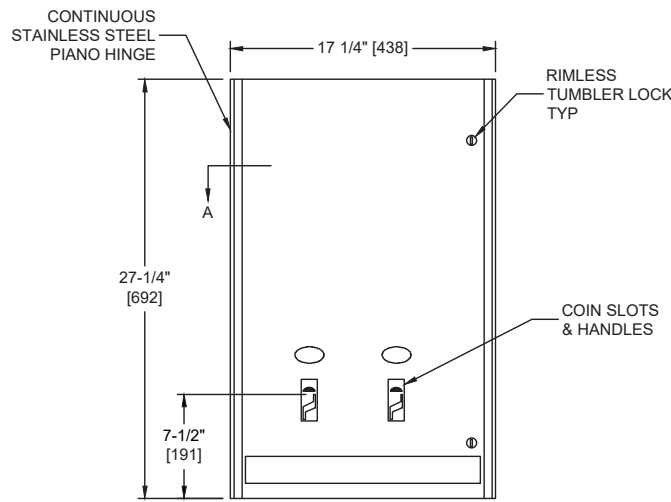


**Profile™ Collection Dual (30) Napkin / (27) Tampon Vendor – Recessed – 25¢ - 50¢ or Free Operation**

Feminine Hygiene Vendors and Disposals

Profile

MasterFormat Section 10 28 13



Scan for Information



**SUSTAINABILITY/LEED**

MR 4.1 (1) MR 6 (1) EQ 4.2 (1)  
MR 4.2 (1) EQ 4.1 (1) EQ 4.4 (1)

**NOTE:**  
ALL DIM'S INCH [MM]  
ILLUSTRATION FOR REF ONLY AND NTS  
FOR CLEANING INSTRUCTIONS SEE APPROPRIATE SECTIONS IN  
PRODUCT CARE & MAINTENANCE BULLETIN (PCM) ON ASI WEBSITE

**PRODUCT OVERVIEW**

Dispenses 30 feminine napkins and 27 tampons. Door locked by two tumbler locks. Inside coin box has separately keyed lock. Universal coin mechanism allows for 25¢, 50¢ and free (no coin) operation. Choose appropriate suffix (-25, -50 or -F). Door shall be 16 gauge type 304 stainless steel alloy 18-8. Cabinet shall be 20 gauge same grade stainless steel. Door shall be attached with a multi-staked piano hinge and shall be held closed with two (2) rimless tumbler locks keyed alike to other ASI washroom equipment.

**KEY FEATURES & SPECIFICATIONS**

- Dual Vendor
  - 25¢ - 50¢ or Free Operation
  - Type 304 Stainless Steel - Satin Finish
  - Recessed
  - 30 Napkins AND 27 Tampons
- 9468-25 – allows for 25¢ operation
  - 9468-50 – allows for 50¢ operation
  - 9468-F – allows Free (no coin) operation

**OPERATION & MAINTENANCE**

Deposit of specified coin allows operation of dispenser. Napkin and tampon dispensers operate independently. Selected product drops into vending opening after operator actuation. Indicator displays empty condition and blocks coin slot when product is depleted. Unit vend product supply is replenished on cycle determined by maintenance needs by opening door and manually reloading product into dispenser supply tracks. Locked compartment prevents unauthorized access. Track weights **MUST BE USED** to provide positive feed.

**TECHNICAL INFORMATION / PRODUCT PROPERTIES**

Property	Value
Dimensions	17-1/4" [438] x 27-1/4" [692] x 6-15/16" [176]
Construction	Type 304 Stainless Steel - Satin Finish
Mounting	Recessed
Capacity	<p>NAPKINS, SINGLES, CARDBOARD-BOXED, SEMIGLOSS FINISH            CAPACITY 30                      BOX SIZE 4-1/4" [108] x 3" [76] x 1-1/8" [29]</p> <ul style="list-style-type: none"> <li><input type="checkbox"/> Stayfree# 4</li> <li><input type="checkbox"/> Guards# 247, or 147</li> <li><input type="checkbox"/> Kotex# 704, 707, 07010, 07040, 07045, 07300, 07320</li> <li><input type="checkbox"/> Pure-Nat# M-4</li> <li><input type="checkbox"/> Modess# 4</li> </ul> <p>TAMPONS, CYLINDER, CARDBOARD, SEMIGLOSS, CRIMPED ENDS            CAPACITY 27                      TUBE SIZE 3/4" diameter [Ø19] x 5-1/4" [134]</p> <ul style="list-style-type: none"> <li><input type="checkbox"/> Tampax</li> <li><input type="checkbox"/> ModessTampons</li> </ul>

**INSTALLATION**

Unit is mounted in wall recess using four (4) #10 self-threading screws (by others). For maximum usability and compliance with 2010 ADA Accessibility Standards, unit should be installed so that coin slot is between 54" [1372] maximum Above Finished Floor (AFF) and 38" [965] minimum AFF. Note that coin slot is 6-3/8" [162] above bottom edge of RWO.

Rough Wall Opening (RWO) required is 16" [406] W x 26" [660] H x 6-1/4" [159] D minimum

**WARRANTY**

One (1) Year from date of Invoice