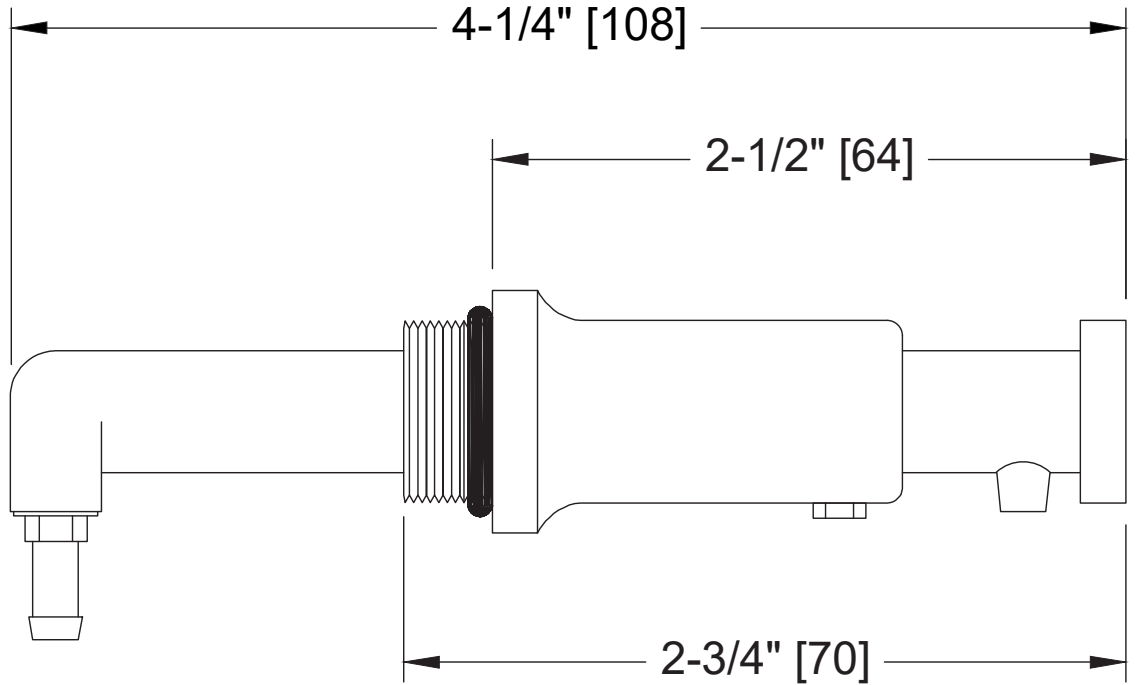


Retrofit Soap Valve, Chrome

Soap Dispensers

MasterFormat Section 10 28 13



Scan for Information



SUSTAINABILITY/LEED

NOTE:
ALL DIM'S INCH [MM]
ILLUSTRATION FOR REF ONLY AND NTS
SEE SOAP DISPENSER CARE & MAINTENANCE
DOCUMENT ONLINE FOR CLEANING

PRODUCT OVERVIEW

Similar to V-321 except for chrome-plated brass housing and circular push-button. Dispenses liquid and lotion soaps, synthetic detergents and antibacterial soaps containing PCMX and/or Triclosan. Soap is dispensed manually by depressing valve button until tank is empty.

KEY FEATURES & SPECIFICATIONS

- Dispenses liquid and lotion soaps, synthetic detergents and antibacterial soaps containing PCMX and/or Triclosan.
- Chrome Plated Brass housing and circular push-button
- Manual
- Liquid Soap

OPERATION & MAINTENANCE

Soap is dispensed manually by depressing valve button until tank is empty.

TECHNICAL INFORMATION / PRODUCT PROPERTIES

Property	Value
Dimensions	4-1/4" [108] Projection
Construction	Chrome Plated Brass
Mounting	Replacement Part
Options	N/A

INSTALLATION

Unit is exact replacement for standard valve supplied with soap dispenser. Lubricate O-ring seal with a slight amount of soap before screwing valve body into existing tank. Tighten valve until mild resistance is felt and valve spout points down.

WARRANTY

One (1) Year from date of invoice